

NL Maximale belasting pirouette: 50 kg.

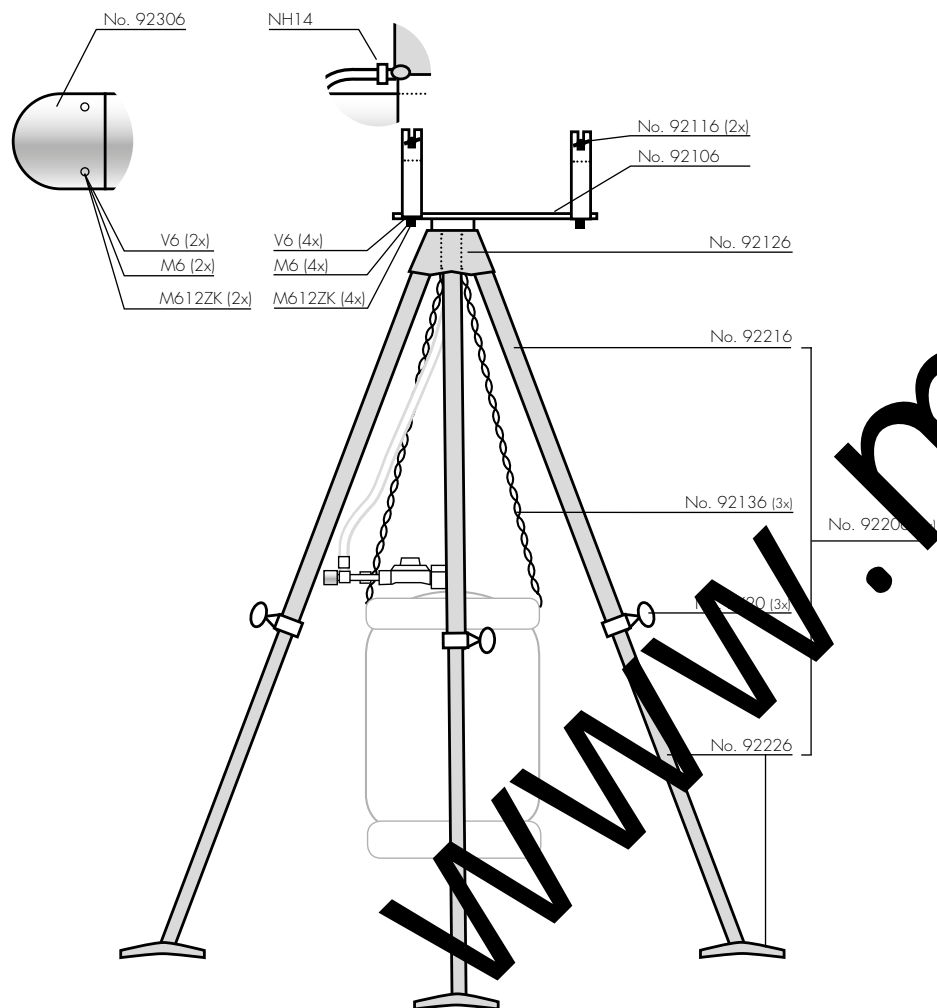
F Charge maximale pirouette 50 kg.

GB Maximum pirouette load: 50kg.

I Carico max. Piroetta: 50kg.

D Maximale belastung der pirouette: 50 kg.

E Carga máxima del dispositivo giratorio: 50 kg



NL Onderdelenlijst Pirouette 92006

92106	Steun compleet
92116	Bevestigingssteun
92126	Draaiconus
92136	Ophangketting met S-haak
92206	Buissteun compleet
92216	Buitenbuis
BK20	Buisklem ø20mm
92226	Binnenbuis + grondplaat compleet
92306	Bocht
NH14	Slangklem
M612ZK	Zeskantbout M6x12
M6	Zeskantmoer M6
V6	Veerring 6mm

F Liste de pièces Pirouette 92006

92106	Support complet
92116	Fixation-support
92126	Cône de rotation
92136	Chain de pendre avec S-croc
92206	Tube-support complet
92216	Tube dedans
BK20	Tube d'arrêt ø20mm
92226	Tube dehors + Plaque de fondation
92306	Courbe
NH14	Bague de serrage du luyau
M612ZK	Vis M6x12
M6	Ecrou M6
V6	Rondelle 6mm

GP Part list Pirouette 92006

92106	Support complete
92116	Fixsupport
92126	Rotation cone
92136	Hangchain with S-hook
92206	Fixpipe complete
92216	Outer pipe
BK20	Pipe clamp ø20mm
92226	Inner pipe + ground-plate complete
92306	Turning-cap
NH14	Hose-clamp
M612ZK	Bolt M6x12
M6	Nut M6
V6	Washer 6mm

I Eleco dei componenti Pirouette 92006

92106	Telaio completo
92116	Staffa
92126	Cono di articolazione
92136	Calena di sospensione con gancio a "S"
92206	Telaio in tubi completo
92216	Tubo esterno
BK20	Fascetta tubo, diam. 20mm
92226	Tubo interno + piastra di base completa
92306	Gomito
NH14	Morsetto del tubo
M612ZK	Bullone M6x12
M6	Dado M6
V6	Tondella 6mm

D Ersatzteil liste Pirouette 92006

92106	Stütze komplett
92116	Befestigungsstütze
92126	Drehkonus
92136	Aufhängkette mit S-haken
92206	Stützröhre komplett
92216	Ausser Röhre
BK20	Rohrklemme ø20mm
92226	Innen röhre + grundplatte komplett
92306	Drehkappe
NH14	Schlauchklemme
M612ZK	Sechskantschraube M6x12
M6	Sechskantmutter M6
V6	Sprengring 6mm

E Lista de piezas Pirouette 92006

92106	Bastidor completo
92116	Pedestal
92126	Cono pivotante
92136	Cadena de suspensión con gancho en S
92206	Bastidor de tubo completo
92216	Tubo exterior
BK20	Abrazadera de tubo, 20mm de diámetro
92226	Tubo interior + placa de base completa
92306	Codo
NH14	Abrazadera
M612ZK	Tornillo M6x12
M6	Tuerca M6
V6	Arandela 6mm