

# Levenhuk Rainbow DM LCD Digital Microscopes

EN	User Manual
BG	Ръководство за потребителя
CZ	Návod k použití
DE	Bedienungsanleitung
ES	Guía del usuario
HU	Használati útmutató
IT	Guida all'utilizzo
PL	Instrukcja obsługi
PT	Manual do usuário
RU	Инструкция по эксплуатации
TR	Kullanım kılavuzu

*Наслади се отблизо*

*Radost zaostřít*

*Zoom ran und hab Fun!*

*Amplie y disfrute*

*Kellemes nagyítást!*

*Ingrandisci il divertimento*

*Radość przybliżania*

*Dê um zoom na sua emoção*

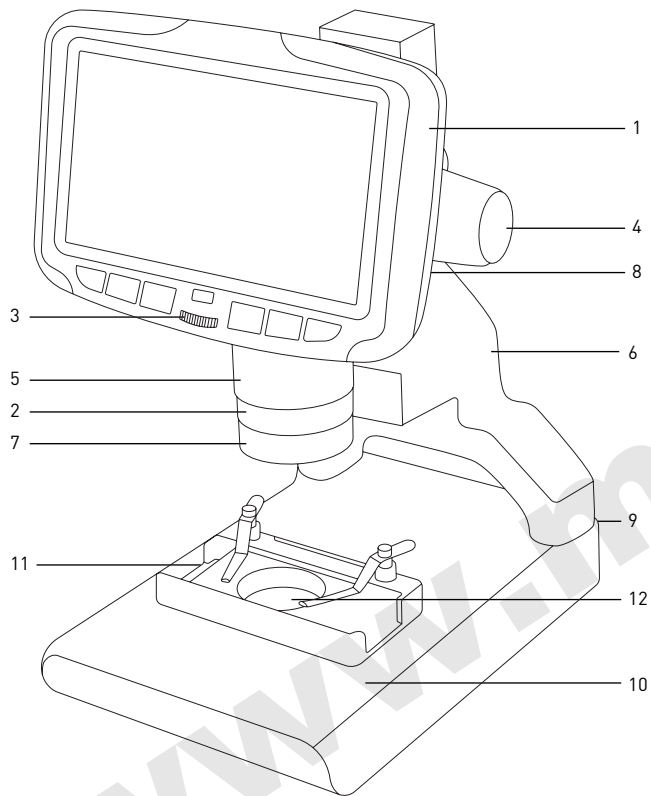
*Приближает с удовольствием*

*Yakınlaştırın ve Keyfini Çıkarın*

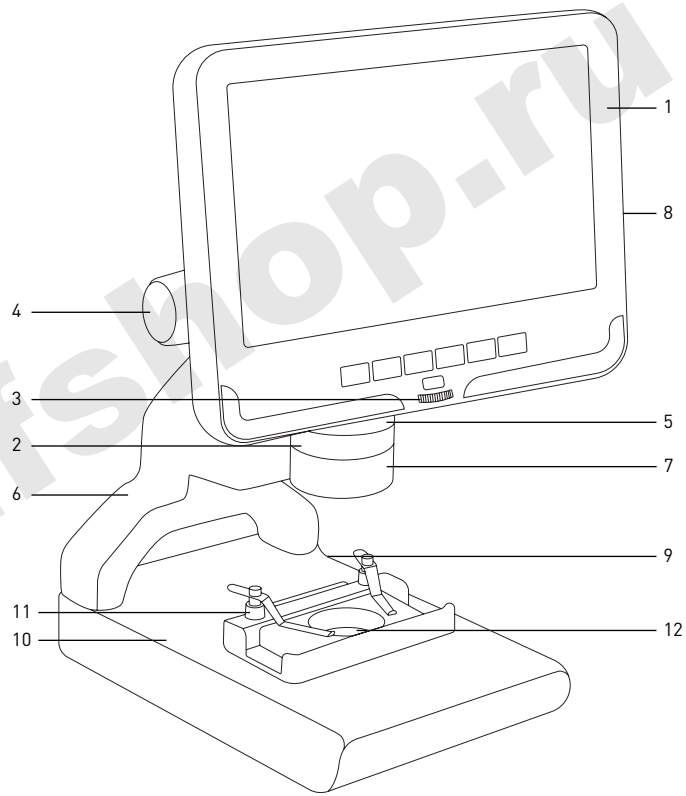


**levenhuk**<sup>®</sup>  
Zoom&Joy

USA • Canada • The Baltics • Belarus • Belgium • Bulgaria • Czech Rep. • Georgia • Germany • Hungary • Iceland • India • Italy • Malaysia  
Netherlands • Poland • Romania • Russia • Serbia • Slovakia • Spain • Sweden • Swiss • Turkey • United Kingdom • Ukraine



**1a. Levenhuk Rainbow DM500 LCD**



**1b. Levenhuk Rainbow DM700 LCD**

**EN**

1. LCD screen
2. Objective
3. Brightness adjustment knob
4. Coarse focusing knob
5. Optical zoom ring
6. Pole
7. Upper illumination
8. LCD screen locking screw (not shown)
9. Power connector (not shown)
10. Stage
11. Movable block with specimen holders
12. Lower illumination

**BG**

1. Течнокристален екран
2. Обектив
3. Бутон за регулиране на яркостта
4. Бутон за грубо фокусиране
5. Пръстен за промяна на оптичното увеличение
6. Прът на стойката
7. Горно осветление
8. Заклучващ винт на течнокристален екран (не е показан)
9. Съединител за захранването (не е показан)
10. Предметна маса
11. Подвижен блок с държачи за образец
12. Долно осветление

**CZ**

1. LCD obrazovka
2. Objektiv
3. Knoflík pro nastavení jasu
4. Makrošroub pro hrubé zaostření
5. Kroužek optického zoomu
6. Sloupek
7. Horní osvětlení
8. Pojistný šroub LCD obrazovka (není zobrazeno)
9. Konektor napájení (nezobrazeno)
10. Pracovní stolek
11. Pohyblivý blok s držáky preparátů
12. Spodní osvětlení

**DE**

1. LCD-Bildschirm
2. Objektiv
3. Helligkeitsregler
4. Grobtrieb
5. Optischer-Zoom-Ring
6. Stange
7. Obere Beleuchtungsquelle
8. LCD-Bildschirmfixierschraube (nicht abgebildet)
9. Stromanschluss (nicht abgebildet)
10. Objektisch
11. Beweglicher Block mit Probenhalter
12. Untere Beleuchtungsquelle

**ES**

1. Pantalla LCD
2. Objetoivo
3. Mando de ajuste del brillo
4. Mando de enfoque aproximado
5. Anillo de zoom óptico
6. Varilla
7. Iluminación superior
8. Tornillo de bloqueo de la pantalla LCD (no se muestra)
9. Compartimento de la batería (no se muestra)
10. Platina
11. Bloque móvil con portamuestras
12. Iluminación inferior

**HU**

1. LCD-kijelző
2. Objektív
3. Fényerősség állítógomb
4. Durva-fókuszállító gomb
5. Optikaizoom-állító gyűrű
6. Rúd
7. Felső világítás
8. LCD képernyő rögzítő-csavar (nem látható)
9. Hálózati csatlakozó (nincs feltüntetve)
10. Tárgyasztal
11. Mozgatható blokk mintatartókkal
12. Alsó megvilágítás

**IT**

1. Schermo LCD
2. Obiettivo
3. Manopola di regolazione della luminosità
4. Manopola di messa a fuoco grossolana
5. Anello dello zoom ottico
6. Colonna
7. Illuminazione superiore
8. Vite di fissaggio dello schermo LCD (non visibile)
9. Presa di alimentazione (non visibile)
10. Tavolino
11. Blocco mobile con portacampioni
12. Illuminazione inferiore

**PL**

1. Ekran LCD
2. Obiektyw
3. Pokrętło regulacji jasności
4. Pokrętło zgrubnej regulacji ostrości
5. Pierścień powiększenia optycznego
6. Statyw
7. Oświetlenie górne
8. Śruba blokująca ekranu LCD (niepokazany)
9. Komora baterii (nie pokazano)
10. Stolik
11. Ruchomy blok z zaczepy do preparatów
12. Oświetlenie dolne

**PT**

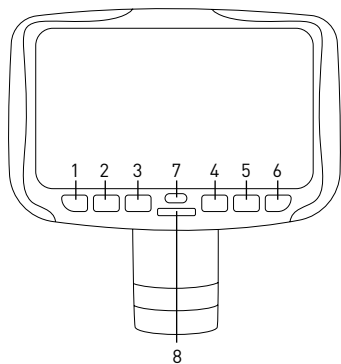
1. Ecrã LCD
2. Objetiva
3. Botão de ajuste do brilho
4. Botão de focagem grosseira
5. Anel de zoom ótico
6. Polo
7. Iluminação superior
8. Parafuso de bloqueio do ecrã LCD (não apresentado)
9. Conector de alimentação (não apresentado)
10. Platina
11. Bloco móvel com suportes de espécimes
12. Iluminação inferior

**RU**

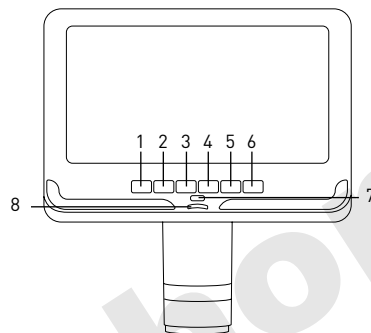
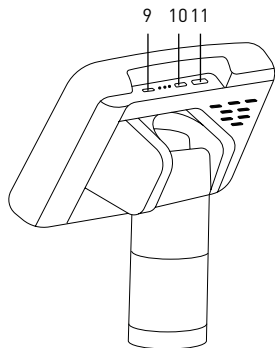
1. ЖК-экран
2. Объектив
3. Регулятор яркости подсветки
4. Ручка грубой фокусировки
5. Кольцо оптического увеличения
6. Штатив
7. Верхняя подсветка
8. Фиксатор ЖК-экрана (не показан)
9. Гнездо сетевого адаптера (не показано)
10. Предметный столик
11. Подвижный блок с держателями препарата
12. Нижняя подсветка

**TR**

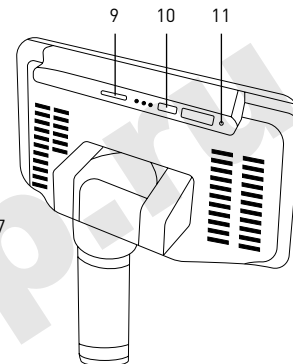
1. LCD ekran
2. Objektif
3. Parlaklık ayar düğmesi
4. Kaba odaklama düğmesi
5. Optik yakınlaştırma halkası
6. Montaj direği
7. Üst aydınlatma
8. LCD ekran kilitleme vidası (gösterilmemiştir)
9. Güç konektörü (gösterilmemiştir)
10. Lamel yuvası
11. Örnek tutucular takılı hareketli blok
12. Alt aydınlatma



2a. Levenhuk Rainbow DM500 LCD



2a. Levenhuk Rainbow DM700 LCD



## EN

1. Power on/off
2. Menu
3. Up
4. Down
5. OK
6. Capture
7. Infrared sensor
8. Brightness adjustment wheel
9. SD slot
10. MicroUSB: output to PC
11. Reset

## BG

1. Вкл./изкл. на захранването
2. Меню
3. Нагоре
4. Надолу
5. ОК
6. Заснемане
7. Инфрачервен сензор
8. Колело за регулиране на яркостта
9. Слот за SD карта
10. MicroUSB: изход към компютър
11. Нулиране

## CZ

1. Vypínač napájení (zap/vyp)
2. Nabídka
3. Nahoru
4. Dolů
5. OK
6. Pořídít snímek
7. Infráčervený snímač
8. Regulátor nastavení jasu
9. Slot pro SD kartu
10. MicroUSB: výstup do PC
11. Resetovat

## DE

1. Ein-/Ausschalter
2. Menü
3. Aufwärts
4. Abwärts
5. OK
6. Aufnahme
7. Infrarotsensor
8. Helligkeitsregler
9. SD-Kartensteckplatz
10. Micro-USB: PC-Anschluss
11. Rücksetzen

**ES**

1. Encendido/apagado
2. Menú
3. Arriba
4. Abajo
5. OK
6. Captura
7. Sensor infrarrojo
8. Rueda de ajuste de brillo
9. Ranura SD
10. Micro-USB: salida a PC
11. Restablecer

**HU**

1. Ki-/bekapcsoló gomb
2. Menü
3. Fel
4. Le
5. OK
6. Felvétel
7. Infravörös érzékelő
8. Fényerő szabályzókerék
9. SD-hely
10. Micro-USB: kimenet számítógéphez
11. Visszaállítás

**IT**

1. Interruttore on/off
2. Menù
3. Su
4. Giù
5. OK
6. Cattura
7. Sensore a infrarossi
8. Rotella regolazione luminosità
9. Slot SD
10. Micro-USB: uscita PC
11. Reset

**PL**

1. Wł./wył. zasilania
2. Menu
3. W górę
4. W dół
5. OK
6. Rejestrowanie
7. Czujnik podczewieni
8. Pokrętło regulacji jasności
9. Gniazdo karty SD
10. Micro USB: wyjście do komputera
11. Resetuj

**PT**

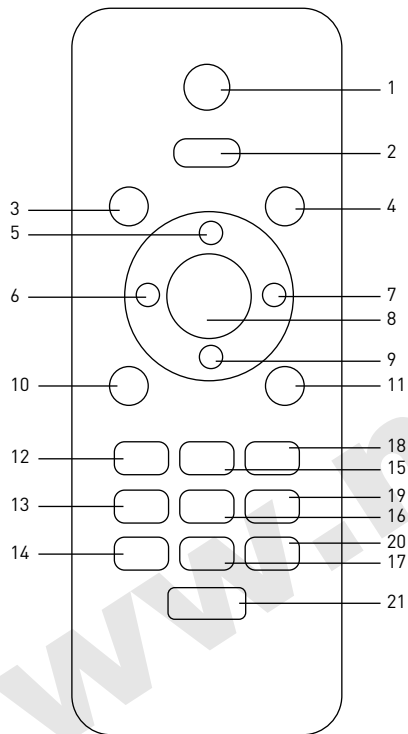
1. Ligar/desligar
2. Menu
3. Para cima
4. Para baixo
5. OK
6. Capturar
7. Sensor infravermelho
8. Roda de ajuste do brilho
9. Ranhura SD
10. MicroUSB: saída para PC
11. Repor

**RU**

1. Кнопка вкл./выкл. питания
2. Кнопка «Меню»
3. Кнопка «Вверх»
4. Кнопка «Вниз»
5. Кнопка «OK»
6. Кнопка «Съемка»
7. Инфракрасный датчик
8. Кольцо регулировки яркости
9. Разъем карты SD
10. Разъем microUSB
11. Кнопка «Перезагрузка»

**TR**

1. Güç açma/kapama
2. Menü
3. Yukarı
4. Aşağı
5. Tamam
6. Kaydet
7. Kızılötesi sensörü
8. Parlaklık ayarı tekeri
9. SD yuvası
10. MicroUSB: bilgisayar çıkışı
11. Sıfırlama



3.

EN

1. Capture
2. Menu
3. Frozen
4. Mode
5. Zoom up
6. Brightness down
7. Brightness up
8. OK
9. Zoom down
10. 50/60Hz
11. Cross line
12. Sharpness down
13. Contrast down
14. Inverse
15. Sharpness up
16. Contrast up
17. Black&white
18. Lock/unlock file
19. NTL/PAL
20. Default set
21. Image rotate

BG

1. Заснемане
2. Меню
3. Застиване
4. Режим
5. Увеличаване
6. Намаляване на яркостта
7. Увеличаване на яркостта
8. ОК
9. Намаляване на увеличението
10. 50/60 Hz
11. Напречна линия
12. Намаляване на отчетливостта
13. Намаляване на контраста
14. Обръщане
15. Увеличаване на отчетливостта
16. Увеличаване на контраста
17. Чернобяло
18. Заклучване/отключване на файл
19. NTL/PAL
20. Настройка по подразбиране
21. Завъртане на изображение

**CZ**

1. Pořídít snímek
2. Nabídka
3. Nehybné
4. Režim
5. Zvětšit zoom
6. Snížit jas
7. Zvýšit jas
8. OK
9. Zmenšit zoom
10. 50/60 Hz
11. Překročit čáru
12. Snížit ostrost
13. Snížit kontrast
14. Negativ
15. Zvýšit ostrost
16. Zvýšit kontrast
17. Černobílá
18. Zamknout/odemknout soubor
19. NTL/PAL
20. Výchozí sada
21. Otočit snímek

**DE**

1. Aufnahme
2. Menü
3. Eingefroren
4. Modus
5. Zoom +
6. Helligkeit –
7. Helligkeit +
8. OK
9. Zoom –
10. 50/60 Hz
11. Kreuzlinie
12. Schärfe –
13. Kontrast –
14. Invers
15. Schärfe +
16. Kontrast +
17. Schwarzweiß
18. Datei sperren/entsperren
19. NTL/PAL
20. Standardset
21. Bilddrehung

**ES**

1. Captura
2. Menú
3. Inmovilizado
4. Modo
5. Aumentar ampliación
6. Reducir brillo
7. Aumentar brillo
8. OK
9. Reducir ampliación
10. 50/60Hz
11. Retícula en cruz
12. Reducir nitidez
13. Reducir contraste
14. Inverso
15. Aumentar nitidez
16. Aumentar contraste
17. Blanco y negro
18. Bloquear / desbloquear archivo
19. NTL/PAL
20. Kit predeterminado
21. Rotación de imagen

**HU**

1. Felvétel
2. Menü
3. Kimerevített
4. Üzem mód
5. Közelítés
6. Fényerő csökkentése
7. Fényerő növelése
8. OK
9. Távoltítás
10. 50/60 Hz
11. Keresztvonal
12. Élesség csökkentése
13. Kontraszt csökkentése
14. Inverz
15. Élesség növelése
16. Kontraszt növelése
17. Fekete-fehér
18. Fájl zárolása/feloldása
19. NTL/PAL
20. Alapértelmezett beállítás
21. Kép elforgatása

**IT**

1. Cattura
2. Menù
3. Bloccato
4. Modalità
5. Aumenta zoom
6. Diminuisci luminosità
7. Aumenta luminosità
8. OK
9. Diminuisci zoom
10. 50/60 Hz
11. Mirino
12. Diminuisci nitidezza
13. Diminuisci contrasto
14. Inverso
15. Aumenta nitidezza
16. Aumenta contrasto
17. Bianco e nero
18. Blocca/sblocca file
19. NTL/PAL
20. Imposta predefinito
21. Ruota immagine



**PL**

1. Rejestrowanie
2. Menu
3. Tryb wstrzymania
4. Tryb
5. Powiększenie
6. Zmniejszenie jasności
7. Zwiększenie jasności
8. OK
9. Oddalenie
10. 50/60 Hz
11. Linia z podziałką
12. Zmniejszenie ostrości
13. Zmniejszenie kontrastu
14. Odwrócenie
15. Zwiększenie ostrości
16. Zwiększenie kontrastu
17. Czarno-biały
18. Zablokowanie/odblokowanie pliku
19. NTL/PAL
20. Ustawienia domyślne
21. Obrócenie obrazu

**PT**

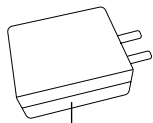
1. Capturar
2. Menu
3. Bloqueado
4. Modo
5. Aumentar zoom
6. Diminuir luminosidade
7. Aumentar luminosidade
8. OK
9. Diminuir zoom
10. 50/60 Hz
11. Linha transversal
12. Diminuir nitidez
13. Diminuir contraste
14. Inverso
15. Aumentar nitidez
16. Aumentar contraste
17. Preto e branco
18. Bloquear/desbloquear ficheiro
19. NTL/PAL
20. Predefinição
21. Rotação de imagem

**RU**

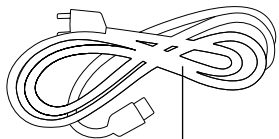
1. Кнопка «Съемка»
2. Кнопка «Меню»
3. Кнопка «Стоп-кадр»
4. Кнопка «Режим»
5. Кнопка «Увеличение»
6. Кнопка уменьшения яркости
7. Кнопка увеличения яркости
8. Кнопка «OK»
9. Кнопка «Уменьшение»
10. Кнопка переключения частоты между 50 и 60 Гц
11. Кнопка отображения сетки
12. Кнопка уменьшения резкости
13. Кнопка уменьшения контраста
14. Кнопка фотоэффекта «Негатив»
15. Кнопка увеличения резкости
16. Кнопка увеличения контраста
17. Кнопка фотоэффекта «Черное/белое»
18. Кнопка блокировки/разблокировки файла
19. Кнопка переключения форматов NTL/PAL
20. Кнопка «Заводские настройки»
21. Кнопка «Поворот изображения»

**TR**

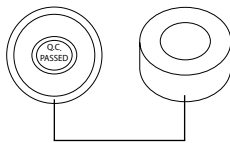
1. Kaydet
2. Menü
3. Donuk
4. Mod
5. Yakınlaştır
6. Parlaklığı azalt
7. Parlaklığı artır
8. Tamam
9. Uzaklaştır
10. 50/60 Hz
11. Çapraz çizgi
12. Netliği düşür
13. Kontrastı düşür
14. Ters çevir
15. Netliği yükselt
16. Kontrastı yükselt
17. Siyah ve beyaz
18. Dosyayı Kilitle/kilidini aç
19. NTL/PAL
20. Varsayılan set
21. Görüntü döndürme



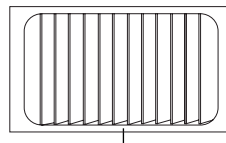
1



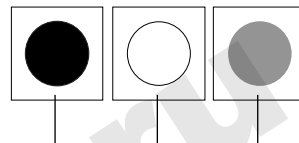
2



3



4



5

4.

**EN**

1. DC adapter
2. Switch cable
3. Lens covers
4. 12 prepared slides
5. Black, white and uniform light plates

**BG**

1. DC адаптер
2. Кабел за включване
3. Капаци на обектива
4. 12 подготвени слайда
5. Черни, бели и еднакви светлинни плочи

**CZ**

1. Stejnoseměrný adaptér
2. Vyměnit kabel
3. Ochranné kryty zorníku
4. 12 připravených diapositivy
5. Černé, bílé a rovnoměrné světelné desky

**DE**

1. Netzteil
2. Kabelschalter
3. Objektivabdeckung
4. 12 vorbereitete Mikroskop-Objekträger
5. Schwarze, weiße und einheitliche Lichtplatten

**ES**

1. Adaptador de CC
2. Cable de conmutación
3. Cubiertas de lentes
4. 12 diapositivas preparadas
5. Placas de luz negras, blancas y uniformes

**HU**

1. Hálózati adapter
2. Kapcsolókábel
3. Lencsesapkák
4. 12 előkészített csúszik
5. Fekete, fehér és egyenletes fénylemezek

**IT**

1. Adattatore DC
2. Cavo interruttore
3. Coperture delle lenti
4. 12 vetrini preparati
5. Piastre luminose nere, bianche uniformi

**PL**

1. Zasilacz
2. Przewód przełączający
3. Osłona soczewki
4. 12 przygotowanych szkiełek
5. Czarne, białe i jednolite światła talerze

**PT**

1. Adaptador de CC
2. Cabo do interruptor
3. Tampas da lente
4. 12 slides preparados
5. Placas de luz pretas, brancas e uniformes

**RU**

1. Адаптер постоянного тока
2. Пульт управления яркостью подсветки с кабелем подключения и питания
3. Крышки объектива
4. 12 готовых микропрепаратов
5. Черное, белое и прозрачное предметные стекла

**TR**

1. DC adaptörü
2. Düğmeli kablo
3. Mercek kapakları
4. 12 hazır slayt
5. Siyah, beyaz ve tek parça ışık plakası

# Levenhuk Rainbow DM LCD Digital Microscopes

EN

Please refer to fig. 1 (device), 2 (LCD screen), 3 (control panel), and 4 (accessories). Find your microscope model and view all of the details of the device.

## Getting started

- Unpack the microscope carefully and place it on a flat surface.
- Plug the power cable into the corresponding connectors on the base and on the LCD screen, and then the backlight and screen will turn on automatically.
- Press and hold the "Power on/off" button for 2 seconds on the screen to turn the screen on and off.
- Place the micropreparation on the movable block and fix it with the specimen holders. Place the movable block under the objective. The kit includes a set of ready-made micropreparations for study. Remove the lens cover labeled "Q.C. passed" from the bottom of the second lens cover.
- Adjust the brightness of the backlight and adjust the clarity of the image with the coarse focusing knob.




A microSD card (purchased separately) is required to save captured images and recorded videos. Turn the microscope off and insert the microSD card into the corresponding slot on the microscope body until it locks in place with a click. Do not apply excessive force when inserting the microSD card. Try rotating the card, if it does not lock in place with ease. If the LCD screen freezes, look for the "Reset" button on the back of the LCD screen. Use a narrow object, such as a straightened paperclip, to press the button. This will reset all of the settings to the factory defaults and restart the LCD screen. Saved photos or videos will not be deleted.

## Stage inset glass

- Frosted glass stage inset may be used for observations of transparent specimens or thin slices of objects. Place it on the stage and secure it in place with the locking screw. Lower illumination source should be used during observations with this glass stage inset.
- Additional black and white glass slides are supplied with the microscope. If the specimen is white or bright, then for better image contrast, use a black glass slide with only the top illumination on. Otherwise, use a white glass slide.

**Caution:** please refer to the specifications table for the correct mains voltage and never attempt to plug a 110V device into 220V outlet and vice versa without using a converter. Remember that mains voltage in the U.S. and Canada is 110V and 220—240V in most European countries.

## Display information

-  Video mode
-  Photo mode
-  Playback mode

## Digital magnification

During observations, press the "Up" button to enlarge the image and the "Down" button to reduce the image.

## Capturing an image

1. Turn the microscope on and place a specimen on the stage.
2. Set the objective to the desired height using the coarse focusing knob.
3. Adjust the illumination brightness, so that the specimen is evenly lit.
4. Adjust the magnification and sharpness of the image by rotating the coarse focus knob and optical zoom ring.
5. To take a photo, press the "Capture" button.
6. In "Freeze" mode, briefly press the "OK" button to take a picture (DM500 only).

## Recording a video

1. Press the "Video" button to switch to video mode. The icon in the upper left corner of the screen will change in confirmation.
2. Press the "OK" button to start recording. **Note:** do not hold down the "OK" button; instead, briefly press and release it.
3. Press the "OK" button again to stop recording.
4. Press the "Capture" button to take a picture while the microscope is recording a video. If you take a photo this way, the image resolution may not be as high as the video resolution — the image quality will be lower.

## View photos and videos

1. Insert the microSD card into the SD slot.
2. Press the "Video" button twice to turn on the viewing mode.
3. Press the "Right" and "Left" buttons to view the pictures and videos. Press the "OK" button to start playing the video.

4. Use the "Menu" button to provide additional options when viewing a still image or video. Press and hold the "Menu" button until the options appear.

#### Setup

Press the "Menu" button to go to the settings menu of the LCD screen Use the control buttons to select the required parameters. Press the "Menu" button again to save the selected parameters. Do not turn off the power of the microscope while saving the settings. Reboot the microscope after applying the settings.

#### Date and time

Select Date/Time from the main menu by the "Down" button and set the current date and time. You can use the "Left" and "Right" buttons on the remote control to select the required data.

## Specifications

Product ID	76826	76825
Model	Levenhuk Rainbow DM500 LCD	Levenhuk Rainbow DM700 LCD
Digital magnification	7—200x	10—200x
Optical magnification	7—50x	10—50x
Optics material	optical glass	
Body	plastic	
Stage	120x180mm	
Movable block	83x43mm, with specimen holders	
Focus	coarse, 50mm	coarse, 90mm
Illumination	upper and lower, LED	
Rotatable color LCD screen	5"	7"
Megapixels (sensor/image)	2/12	
Max. resolution (image/video)	4032x3024px/1920x1080px	
Image/video format	*.jpg/*.avi	
Sensor	1/2,9	
Pixel size	2,8µm	
Sensitivity	3800mV/Lux-s	
Spectral range	410—1100nm	
Manual settings	white balance, exposure control	
Output (connectors)	microSD, microUSB	
Power supply (microscope)	110—220V; 5V, 1A via USB cable; built-in 2200 mAh battery (working time: 3—4 hours, charging time: 16—20 hours)	110—220V; 5V, 1A via USB cable
Power supply (IR remote)	2pcs AAA batteries	
Operating temperature range	-20...+70°C (-4 to 158°F)	

Levenhuk reserves the right to modify or discontinue any product without prior notice.

## Care and maintenance

**Never, under any circumstances, look directly at the Sun, another bright source of light or at a laser through this device, as this may cause PERMANENT RETINAL DAMAGE and may lead to BLINDNESS.** Take necessary precautions when using the device with children or others who have not read or who do not fully understand these instructions. After unpacking your microscope and before using it for the first time check for integrity and durability of every component and connection. Do not try to disassemble the device on your own for any reason. For repairs and cleaning of any kind, please contact your local specialized service center. Protect the device from sudden impact and excessive mechanical force. Do not apply excessive pressure when adjusting focus. Do not overtighten the locking screws. Do not touch the optical surfaces with your fingers. To clean the device exterior, use only special cleaning wipes and special optics cleaning tools from Levenhuk. Do not use any corrosive or acetone-based fluids to clean the optics. Abrasive particles, such as sand, should not be wiped off lenses, but instead blown off or brushed away with a soft brush. Do not use the device for lengthy periods of time, or leave it unattended in direct sunlight. Keep the device away from water and high humidity. Be careful during your observations, always replace the dust cover after you are finished with observations to protect the device from dust and stains. If you are not using your microscope for extended periods of time, store the objective lenses and eyepieces separately from the microscope. Store the device in a dry, cool place away from hazardous acids and other chemicals, away from heaters, open fire and other sources of high temperatures. When using the microscope, try not to use it near flammable materials or substances (benzene, paper, cardboard, plastic, etc.), as the base may heat up during use, and might become a fire hazard. Always unplug the microscope from a power source before opening the base or changing the illumination lamp. Regardless of the lamp type (halogen or incandescent), give it some time to cool down before trying to change it, and always change it to a lamp of the same type. Always use the power supply with the proper voltage, i.e. indicated in the specifications of your new microscope. Plugging the instrument into a different power outlet may damage the electric circuitry of the microscope, burn out the lamp, or even cause a short circuit. Children should use the device under adult supervision only. **Seek medical advice immediately if a small part or a battery is swallowed.**

## Battery safety instructions

Always purchase the correct size and grade of battery most suitable for the intended use. Always replace the whole set of batteries at one time; taking care not to mix old and new ones, or batteries of different types. Clean the battery contacts and also those of the device prior to battery installation. Make sure the batteries are installed correctly with regard to polarity (+ and -). Remove batteries from equipment that is not to be used for an extended period of time. Remove used batteries promptly. Never short-circuit batteries as this may lead to high temperatures, leakage, or explosion. Never heat

batteries in order to revive them. Do not disassemble batteries. Remember to switch off devices after use. Keep batteries out of the reach of children, to avoid risk of ingestion, suffocation, or poisoning. Utilize used batteries as prescribed by your country's laws.

## Levenhuk International Lifetime Warranty

All Levenhuk telescopes, microscopes, binoculars and other optical products, except for accessories, carry a **lifetime warranty** against defects in materials and workmanship. Lifetime warranty is a guarantee on the lifetime of the product on the market. All Levenhuk accessories are warranted to be free of defects in materials and workmanship for **six months** from date of retail purchase. Levenhuk will repair or replace such product or part thereof which, upon inspection by Levenhuk, is found to be defective in materials or workmanship. As a condition to the obligation of Levenhuk to repair or replace such product, the product must be returned to Levenhuk together with proof of purchase satisfactory to Levenhuk.

For further details, please visit our web site: [www.levenhuk.com/warranty](http://www.levenhuk.com/warranty)

If warranty problems arise, or if you need assistance in using your product, contact the local Levenhuk branch.

# Цифрови микроскопи Levenhuk Rainbow DM LCD

BG

Вижте фиг. 1 (устройство), 2 (течнокристален екран), 3 (контролен панел), и 4 (принадлежности). Намерете Вашия модел микроскоп и прегледайте всички данни на устройството

## Подготовка

- Внимателно разопаковайте микроскопа и го поставете на равна повърхност.
- Включете захранващия кабел в съответните конектори на основата и на течнокристален екран и фоновото осветление и екранът ще се включат автоматично.
- Натиснете и задръжте бутона "Power on/off" (Вкл./изкл. на захранването) на екрана за 2 секунди, за да включите или изключите екрана.
- Поставете микроскопския препарат върху подвижния блок и го фиксирайте с държачите за образци. Поставете подвижния блок под обектива. Комплектът включва набор от готови микроскопски препарати за изследване. Извадете напак на обектива с надпис "Q.C. passed" (преминат качествен контрол) от долната част на втория напак на обектива.
- Регулирайте яркостта на фоновото осветление и регулирайте яснотата на изображението с бутона за грубо фокусиране.

За да запишете заснетите изображения и видео, е необходима microSD картата (закупува се отделно). Изключете микроскопа и внарайте microSD картата в съответния слот върху корпуса на микроскопа, докато щракне на мястото си. Не прилагайте прекомерна сила при внарането на microSD картата. Опитайте да завъртите картата, ако не щраква лесно на мястото си.

Ако LCD екранът замръзне, потърсете бутона "Reset" (Нулиране) на гърба на LCD екрана. Използвайте тънък предмет, например изправен кламер, за да натиснете бутона. Това ще нулира всички настройки до фабричните настройки и ще рестартира LCD екрана. Запазените снимки или видеоклипове няма да бъдат изтрети.

## Стъклена вложка на предметната маса

- За наблюдения на прозрачни образци или на тънки срезове на обекти може да се използва вложка от матирано стъкло. Поставете я върху предметната

**Внимание:** моля, вижте в таблицата с техническите спецификации правилното мрежово напрежение и никога не се опитвайте да включите устройство за 110 V в захранващо гнездо за 220 V изход и обратно, без да използвате преобразувател. Не забравяйте, че мрежовото напрежение в САЩ и Канада е 110 V и 220—240 V в повечето европейски страни.

маса и я закрепете на място чрез заключващия винт. При наблюденията с тази стъклена вложка на предметната маса трябва да се използва източник на долно осветление.

- С микроскопа се доставят допълнителни предметни стъкла от черно и бяло стъкло. Ако образецът е бял или ярък, тогава за по-добър контраст на изображението използвайте черно предметно стъкло с включено само горно осветление. В противен случай използвайте бяло предметно стъкло.

## Информация на дисплея



Видео режим



Фото режим



Режим на възпроизвеждане

## Цифрово увеличение

По време на наблюденията натиснете бутона "Up" (Нагоре), за да увеличите изображението, и бутона "Down" (Надолу), за да намалите изображението.

## Заснемане на изображение

1. Включете микроскопа и поставете образец на предметната маса.
2. Поставете обектива на желаната височина, като използвате бутона за грубо фокусиране.
3. Регулирайте яркостта на осветлението, така че образецът да е равномерно осветен.
4. Регулирайте увеличението и остротата на изображението, като завъртите бутона за грубо фокусиране и пръстена за оптично увеличение.
5. За да направите снимка, натиснете бутона "Capture" (Заснемане).
6. В режим "Freeze" (Застиване) натиснете за кратко бутона "OK", за да направите снимка (с изключение на DM500).

### Записване на видео

1. Натиснете бутона за "Video" (Видео), за да превключите на режим на видео. Иконата в горния ляв ъгъл на екрана ще се промени за потвърждение.
2. Натиснете бутона за "OK", за да започнете записа. **Забележка:** не задържайте бутона "OK" натиснат; натиснете го за кратко и го отпуснете.
3. Натиснете бутона "OK" отново, за да спрете записването.
4. Натиснете бутона "Capture" (Заснемане), за да направите снимка, докато микроскопът записва видео. Ако направите снимка по този начин, резолюцията на изображението може да не е толкова висока, колкото резолюцията на видеото — качеството на изображението ще бъде по-ниско.

### Преглед на снимки и видеоматериали

1. Поставете microSD картата в SD слота.
2. Натиснете бутона "Video" (Видеозапис) два пъти, за да включите режима за преглед.
3. Натиснете бутоните "Right" (Наляво) и "Left" (Надясно), за да прегледате снимките и видеоматериалите. За да стартирате възпроизвеждане на видеоматериала, натиснете бутона "OK".
4. Използвайте бутона "Menu" (Меню), за да използвате допълнителни опции при преглед на неподвижно изображение или видео. Натиснете и задръжте бутона "Menu" (Меню), докато се появят опциите.

### Настройка

Натиснете бутона "Menu" (Меню), за да отидете в менюто за настройки на течнокристалния екран. Използвайте бутоните за управление, за да изберете необходимите параметри. Натиснете отново бутона "Menu" (Меню), за да запазите избраните параметри. Не изключвайте захранването на микроскопа, докато запамятвате настройките. Рестартирайте микроскопа след прилагане на настройките.

### Дата и час

Изберете от главното меню "Date/Time" (Дата/Час) чрез бутона "Down" (Надолу) и настройте текущите дата и час. Можете да използвате бутоните "Left" (Ляво) и "Right" (Дясно) на дистанционното управление, за да изберете необходимите данни.

## Спецификации

ИД на продукт	76826	76825
Модел	Levenhuk Rainbow DM500 LCD	Levenhuk Rainbow DM700 LCD
Цифрово увеличение	7—200x	10—200x
Оптично увеличение	7—50x	10—50x
Материал на оптиката	оптично стъкло	
Корпус	пластмаса	
Предметна маса	120x180 mm	
Подвижен блок	83x43 mm, с държачи за образец	
Система за фокусиране	грубо, 50 mm	грубо, 90 mm
Осветление	горно и долно, светодиодно	
Въртящ се цветен течнокристален кран	5°	7°
Мегапиксела (сензор/изображение)	2/12	
Максимална разделителна способност (изображение/видео)	4032x3024/1920x1080 px	
Формат на изображението/видеото	*.jpg/*.avi	
Сензор	1/2,9	
Размер на пикселите	2,8 μm	
Чувствителност	3800 mV/Lux·s	
Спектрален обхват	410—1100 nm	
Ръчни настройки	баланс на бялото, контрол на експозицията	
Изход (конектори)	microSD, microUSB	
Захранване (микроскоп)	110—220 V; 5 V, 1 A чрез USB кабел; вградена батерия 2200 mAh (време на работа: 3—4 часа, време на зареждане: 16—20 часа)	110—220 V; 5 V, 1 A чрез USB кабел

Захранване (IR дистанционно)	2 бр. батерии AAA
Диапазон на работната температура	-20...+70 °C

Levenhuk си запазва правото да променя или да преустанови предлагането на продукта без предварително уведомление.

## Грижи и поддръжка

**Никога и при никакви обстоятелства не гледайте директно към слънцето, друг ярък източник на светлина или лазер през това устройство, тъй като това може да предизвика ПЕРМАНЕНТО УВРЕЖДАНЕ НА РЕТИНАТА и може да доведе до СЛЕПОТА.** Предприемете необходимите превантивни мерки при използване на това устройство от деца или други, които не са прочели или които не са разбрали напълно тези инструкции. След като разопаковате Вашия микроскоп и преди да го използвате за първи път, проверете дали всички компоненти и връзки са здрави и с ненарушена цялост. Не се опитвайте да разглобявате устройството самостоятелно. За ремонти и почистване, моля, обръщайте се към местния специализиран сервизен център. Предпазвайте устройството от внезапни удари и прекомерна механична сила. Не прилагайте прекомерен натиск при настройване на фокусирането. Не пренатягайте заключващите винтове. Не пиपाйте повърхностите на оптиката с пръсти. За почистване на отвън, използвайте само специални кърпички и течности за почистване на оптика от Levenhuk. Не използвайте корозивни течности или такива на основата на ацетон за почистване на оптиката. Абразивните частици, като напр. пясък, не трябва да бъдат забърсвани от лещите, а трябва да бъдат издухвани или изчетквани с мека четка. Не използвайте устройството за продължителни периоди от време и не го оставяйте без надзор на директна слънчева светлина. Пазете устройството далеч от вода и висока влажност. Бъдете внимателни по време на наблюдения, винаги поставяйте покривалото против прах обратно на мястото му, след като сте приключили с наблюдението, за да предпазите устройството от прах и поява на петна. Ако не използвате Вашия микроскоп за продължителни периоди от време, съхранявайте лещите на обектива и окулярите отделно от микроскопа. Съхранявайте устройството на сухо и хладно място, далеч от опасни киселини и други химикали, далеч от отоплителни уреди, открит огън и други източници на високи температури. Когато използвате микроскопа, опитайте да не го използвате в близост до запалими материали или вещества (бензен, хартия, картон, пластмаса и т.н.), тъй като основата може да се нагрее по време на употреба и може да възникне опасност от пожар. Винаги изключвайте микроскопа от източника на захранване, преди да отворите основата или да смените осветителната лампа. Независимо от вида на лампата (халогенна или с нажежаема жичка) я оставете да се охладя за кратко, преди да опитате да я смените, и винаги я сменяйте с лампа от същия тип. Винаги използвайте захранване с подходящо напрежение, т.е. посоченото

в спецификациите на Вашия нов микроскоп. Включването на инструмента в електрически контакт с различно напрежение ще повреди електрическата верига на микроскопа, ще изгори лампата или може дори да причини късо съединение. Децата трябва да използват микроскопа само под надзора на възрастни. **Потърсете веднага медицинска помощ, ако погълнете малка част или батерия.**

## Инструкции за безопасност на батериите

Винаги купувайте батерии с правилния размер и характеристики, които са най-подходящи за предвидената употреба. Винаги сменяйте всички батерии едновременно, като внимавате да не смесите стари и нови или батерии от различен тип. Почистете контактите на батериите, както и тези на устройството, преди да поставите батериите. Уверете се, че батериите са поставени правилно по отношение на полярността (+ и -). Извадете батериите от оборудването, ако то няма да бъде използвано продължителен период от време. Извадете използваните батерии незабавно. Никога не свързвайте батерии накъсо, тъй като това може да доведе до високи температури, теч или експлозия. Никога не загрявайте батерии, опитвайки се да ги използвате допълнително време. Не разглобявайте батериите. Не забравяйте да изключите устройствата след употреба. Дръжте батериите далеч от достъпа на деца, за да избегнете риск от поглъщане, задушаване или отравяне. Изхвърляйте използваните батерии съгласно правилата в държавата Ви.

## Международна доживотна гаранция от Levenhuk

Всички телескопи, микроскопи, бинокли и други оптични продукти от Levenhuk, с изключение на аксесоарите, имат **доживотна гаранция** за дефекти в материалите и изработката. Доживотната гаранция представлява гаранция, валидна за целия живот на продукта на пазара. За всички аксесоари Levenhuk се предоставя гаранция за липса на дефекти на материалите и изработката за период от **две години** от датата на покупка на дребно. Levenhuk ще ремонтира или замени всеки продукт или част от продукт, за които след проверка от страна на Levenhuk се установи наличие на дефект на материалите или изработката. Задължително условие за задължението на Levenhuk да ремонтира или замени такъв продукт е той да бъде върнат на Levenhuk заедно с документ за покупка, който е задоволителен за Levenhuk.

За повече информация посетете нашата уебстраница: [www.levenhuk.bg/garantsiya](http://www.levenhuk.bg/garantsiya)

Ако възникнат проблеми с гаранцията или ако се нуждаете от помощ за използването на Вашия продукт, свържете се с местния представител на Levenhuk.



# Digitální mikroskopy Levenhuk Rainbow DM LCD

CZ

Viz obr. 1 (zařízení), 2 (LCD obrazovka), 3 (ovládací panel) a 4 (příslušenství). Vyhledejte model svého mikroskopu a zobrazte všechny podrobnosti zařízení.

## Rozbalení a zapnutí

- Mikroskop opatrně vybalte a položte na rovný povrch.
- Napájecí kabel připojte k odpovídajícím konektorům v základně a na LCD obrazovce a poté se automaticky zapne obrazovka a podsvícení.
- Obrazovku lze zapnout a vypnout stisknutím a podržením tlačítka "Power on/off" (Vypínač napájení) na obrazovce po dobu 2 sekund.
- Mikropreparát umístěte na posuvný blok a upevněte pomocí držáků vzorků. Posuvný blok umístěte pod objektiv. Sada obsahuje několik předem připravených mikropreparátů ke zkoumání. Odstraňte ochranný kryt zorníku s označením "Q.C. passed" z dolní části druhého krytu zorníku.
- Upravte jas podsvícení a ostrost obrazu pomocí makrošroubu pro hrubé zaostření.

Karta microSD (nutno koupit samostatně) slouží k ukládání pořízených statických snímků a videozáznamů. Mikroskop vypněte a kartu microSD vložte do odpovídajícího slotu na těle mikroskopu, dokud vám zvuk cvaknutí neoznámí, že je vložena správně. Při vkládání microSD karty nepoužívejte příliš velkou sílu. Nejde-li na své místo vložit snadno, zkuste ji otočit.

Pokud LCD obrazovka zamrzne, použijte tlačítko "Reset" (Resetovat) na zadní straně LCD obrazovky. Tlačítko lze stisknout úzkým předmětem, jako je například kancelářská sponka. Obnovíte tím veškerá tovární nastavení a restartujete LCD obrazovku. Uložené snímky nebo videa nebudou odstraněny.

## Skleněná vložka pracovního stolku

- Pracovní stolek s matným sklem lze použít k pozorování transparentních preparátů nebo tenkých řezů objektů. Položte jej na pracovní stolek a upevněte na místě pojistným šroubem. Při pozorování na tomto skleněném pracovním stolku by se mělo používat spodní osvětlení.

**Upozornění:** správné síťové napětí naleznete v tabulce technických parametrů. Bez použití měniče se nikdy nepokoušejte připojit zařízení dimenzované na napětí 220 V do zásuvky poskytující napětí 110 V a opačně. Mějte na paměti, že síťové napětí ve většině evropských zemí je 220—240 V, zatímco v USA a v Kanadě je to 110 V.

- S mikroskopem se dodávají další černá a bílá sklička. Pokud je vzorek bílý nebo světlý, pro lepší kontrast použijte černé skličko s osvětlením shora. V ostatních případech použijte bílé skličko.

## Informace na displeji



Video režim



Fotografický režim



Režim přehrávání

## Digitální zvětšení

Během pozorování můžete obraz zvětšit stisknutím tlačítka "Up" (Nahoru) a zmenšit stisknutím tlačítka "Down" (Dolů).

## Snímání obrazu

1. Zapněte mikroskop a položte vzorek na stolek.
2. Nastavte objektiv do požadované výšky pomocí makrošroubu pro hrubé zaostření.
3. Nastavte jas osvětlení tak, aby byl preparát rovnoměrně osvětlený.
4. Upravte zvětšení a ostrost obrazu pomocí makrošroubu pro hrubé zaostření a kroužku optického zoomu.
5. Chcete-li pořídit snímek, stiskněte tlačítko "Capture" (Pořídit snímek).
6. V režimu "Freeze" (Znehybnění) lze uložit snímek krátkým stisknutím tlačítka "OK" (kromě DM500).

## Pořizování videozáznamů

1. Stisknutím klávesy "Video" přejdete do režimu videozáznamu. Přechod do jiného režimu je potvrzen změnou ikony v levém horním rohu.
2. Stisknutím tlačítka OK zahájíte záznam. **Poznámka:** tlačítko "OK" nadržte stisknuté; pouze jej krátce stiskněte a uvolněte.
3. Dalším stisknutím tlačítka "OK" záznam zastavíte.
4. Stisknutím tlačítka "Capture" (Pořídit snímek) zachytíte snímek, když mikroskop zaznamenává video. Snímek pořízený tímto způsobem nemusí mít tak vysoké rozlišení jako je rozlišení videa — kvalita snímku bude nižší.

### Prohlížení fotografií a videí

1. Vložte kartu microSD do slotu pro kartu SD.
2. Dvakrát stiskněte tlačítko "Video". Přepnete tak do režimu prohlížení.
3. Obrázky a videa si můžete prohlížet pomocí tlačítek "Right" (Doprava) nebo "Left" (Doleva). Přehrávání videa zahájíte stisknutím tlačítka "OK".
4. Pomocí tlačítka "Menu" (Nabídka) můžete využít další možnosti při zobrazení snímku nebo videa. Stiskněte a podržte tlačítko "Menu" (Nabídka), dokud se neobjeví možnosti.

### Nastavení

Stisknutím tlačítka "Menu" (Nabídka) přejdete do nabídky nastavení LCD obrazovky. Pomocí ovládacích tlačítek vyberte požadované parametry. Znovu stiskněte tlačítko "Menu" (Nabídka) aby se vybrané parametry uložily. Při ukládání nastavení mikroskop nevypínejte. Po provedení nastavení mikroskop restartujte.

### Datum a čas

Vyberte možnost "Date/Time" (Datum/čas) z hlavní nabídky pomocí tlačítka "Down" (Dolů) a nastavte aktuální datum a čas. Pomocí tlačítek "Left" (Vlevo) a "Right" (Vpravo) na dálkovém ovládní můžete vybrat požadovaná média.

### Technické údaje

ID produktu	76826	76825
Model	Levenhuk Rainbow DM500 LCD	Levenhuk Rainbow DM700 LCD
Digitální zvětšení	7—200x	10—200x
Optické zvětšení	7—50x	10—50x
Materiál optiky	optické sklo	
Tělo	plastik	
Pracovní stolek	120x180 mm	
Pohyblivý blok	83x43 mm, včetně držáků preparátů	
Systém ostření	hrubé, 50 mm	hrubé, 90 mm
Osvětlení	horní a dolní, LED	
Otočná barevná LCD obrazovka	5"	7"
Rozlišení v megapixelech (snímač/obraz)	2/12	
Max. rozlišení (obraz/video)	4032x3024/1920x1080 px	
Formát snímku/video	*.jpg/*.avi	
Snímač	1/2,9	
Rozměr pixelu	2,8 µm	
Citlivost	3800 mV/Lux·s	
Spektrální rozsah	410—1100 nm	
Ruční nastavení	vyvážení bílé, nastavení expozice	
Výstup (konektory)	microSD, microUSB	
Napájení (mikroskop)	110—220 V; 5 V, 2 A přes USB kabel; zabudovaná baterie 2200 mAh (provozní doba: 3—4 hodiny, doba nabíjení: 16—20 hodin)	110—220 V; 5 V, 2 A přes USB kabel;
Napájení (IR dálkové ovládní)	2 ks AAA baterie	
Rozsah provozní teploty	-20...+70 °C	

Společnost Levenhuk si vyhrazuje právo provádět bez předchozího upozornění úpravy jakéhokoliv výrobku, případně zastavit jeho výrobu.

## Péče a údržba

**Nikdy, za žádných okolností se tímto přístrojem nedívejte přímo do slunce, jiného světelného zdroje nebo laseru, neboť hrozí nebezpečí TRVALÉHO POŠKOZENÍ SÍTNICE a případně i OSLEPNUTÍ.** Při použití tohoto přístroje dětmi nebo osobami,

kteřé tento návod nečetly nebo s jeho obsahem nebyly plně srozuměny, uplatněte nezbytná preventivní opatření. Po vybalení mikroskopu a před jeho prvním použitím zkontrolujte neporušenost jednotlivých komponent a spojí. Z žádného důvodu se nepokoušejte přístroj rozebírat. S opravami veškerého druhu se obračete na své místní specializované servisní středisko. Přístroj chraňte před prudkými nárazy a nadměrným mechanickým namáháním. Při zaostřování nevyvíjejte nadměrný tlak. Neutahujte šrouby konstrukce příliš silně. Nedotýkejte se svými prsty povrchů optických prvků. K vyčištění vnějších částí přístroje používejte výhradně speciální čisticí ubrousky a speciální nástroje k čištění optiky dodávané společností Levenhuk. K čištění optiky nepoužívejte žádné žraviny ani kapaliny na acetonové bázi. Abrázivní částice, například písek, by se neměly z čoček otírat, ale sfouknout nebo smést měkkým kartáčkem. Přístroj příliš dlouho nepoužívejte ani neponechávejte bez dozoru na přímém slunci. Chraňte přístroj před stykem s vodou. Při pozorování dbejte na opatrnost; po skončení pozorování vždy nasaďte ochranný kryt, abyste mikroskop ochránili před prachem a jiným znečištěním. Pokud svůj mikroskop nebudete delší dobu používat, uložte čočky objektivu a okuláru odděleně od samotného mikroskopu. Přístroj ukládejte na suchém, chladném místě, mimo dosah nebezpečných kyselin nebo jiných chemikálií, topných těles, otevřeného ohně a jiných zdrojů vysokých teplot. Mikroskop nepoužívejte v blízkosti hořlavých materiálů nebo látek (benzín, papír, lepenka, plast apod.), neboť stativ se může při práci zahřívát a vyvolávat riziko požáru. Před otevřením stativu nebo výměnou žárovky osvětlení vždy mikroskop odpojte od zdroje napájení. Bez ohledu na typ žárovky (halogenová nebo obyčejná) ji nechejte před výměnou nějakou dobu vychladnout a vždy ji vyměňujte za žárovku stejného typu. Vždy používejte napájení o správném napětí tak, jak je uvedeno v technických údajích vašeho nového mikroskopu. Připojení přístroje do odlišné zásuvky může vést k poškození elektronických obvodů mikroskopu, spálení žárovky nebo dokonce vyvolat zkrat. Děti by měly mikroskop používat pouze pod dohledem dospělé osoby. **Při náhodném požití malé součásti nebo baterie ihned vyhledejte lékařskou pomoc.**

## Bezpečnostní pokyny týkající se baterií

Vždy nakupujte baterie správné velikosti a typu, které jsou nejvhodnější pro zamýšlený účel. Při výměně vždy nahrazujte celou sadu baterií a dbejte na to, abyste nemíchali staré a nové baterie, případně baterie různých typů. Před instalací baterií vyčistěte kontakty na baterii i na přístroji. Ujistěte se, zda jsou baterie instalovány ve správné polaritě (+ resp. -). V případě, že zařízení nebudete delší dobu používat, vyjměte z něj baterie. Použité baterie včas vyměňujte. Baterie nikdy nezkratujte, mohlo by to vést ke zvýšení teploty, úniku obsahu baterie nebo k explozi. Baterie se nikdy nepokoušejte oživit zahříváním. Nepokoušejte

se rozebírat baterie. Po použití nezapomeňte přístroj vypnout. Baterie uchovávejte mimo dosah dětí, abyste předešli riziku spolknutí, vdechnutí nebo otravy. S použitými bateriemi nakládejte v souladu s vašimi vnitrostátními předpisy.

## Mezinárodní doživotní záruka Levenhuk

Na veškeré teleskopy, mikroskopy, triedy a další optické výrobky značky Levenhuk, s výjimkou příslušenství, se poskytuje **doživotní záruka** pokrývající vady materiálu a provedení. Doživotní záruka je záruka platná po celou dobu životnosti produktu na trhu. Na veškeré příslušenství značky Levenhuk se poskytuje záruka toho, že je dodáváno bez jakýchkoli vad materiálu a provedení, a to po dobu **dvou let** od data zakoupení v maloobchodní prodejně. Tato záruka vám v případě splnění všech záručních podmínek dává nárok na bezplatnou opravu nebo výměnu výrobku značky Levenhuk v libovolné zemi, v níž se nachází pobočka společnosti Levenhuk. Další informace — navštivte naše webové stránky: [www.levenhuk.cz/zaruka](http://www.levenhuk.cz/zaruka)

V případě problémů s uplatněním záruky, nebo pokud budete potřebovat pomoc při používání svého výrobku, obraťte se na místní pobočku společnosti Levenhuk.

# Levenhuk-Rainbow-DM-LCD-Digitalmikroskope

DE

Schauen Sie sich die Abbildungen 1 (Gerät), 2 (LCD-Bildschirm), 3 (Bedienfeld) und 4 (Zubehör) an. Finden Sie das richtige Mikroskopmodell für Sie, schauen Sie sich sämtliche Details an.

## Vorbereitung

- Packen Sie das Mikroskop sorgfältig aus, stellen Sie das Instrument auf eine flache Unterlage.
- Schließen Sie das Stromversorgungskabel an die dafür vorgesehenen Anschlüsse an Basis und LCD-Bildschirm an. Hintergrundbeleuchtung und Bildschirm schalten sich automatisch ein.
- Legen Sie das Präparat auf den verstellbaren Block, fixieren Sie es mit den Probenhaltern. Legen Sie den verstellbaren Block unter das Objektiv. Im Set sind einsatzfertige Mikropräparate zum Studieren enthalten. Nehmen Sie die mit "Q.C. passed" beschriftete Objektivabdeckung vom Boden der zweiten Objektivabdeckung ab.
- Halten Sie die "Power on/off" (Ein-/Ausschalter)-Taste am Bildschirm zum Ein- und Ausschalten des Bildschirms 2 Sekunden lang gedrückt.
- Stellen Sie die Helligkeit der Hintergrundbeleuchtung ein, justieren Sie die Bildschärfe mit dem Grobtrieb.

Zum Speichern von Bild- und Videoaufnahmen ist eine microSD-Karte (separat erhältlich) erforderlich. Schalten Sie das Mikroskop aus und schieben Sie die microSD-Karte in den microSD-Schlitz am Mikroskopsockel ein, bis sie mit einem Klicken einrastet. Wenden Sie beim Einführen der microSD-Karte keine übermäßige Kraft an. Falls sich die Karte nicht leicht einrasten lässt, führen Sie sie anders herum ein.




Falls der LCD-Bildschirm ein eingefrorenes Bild zeigt, schauen Sie sich die "Reset" (Rücksetztaste) an der Rückseite des LCD-Bildschirms an. Betätigen Sie die Rücksetztaste mit einem sehr schmalen Gegenstand, zum Beispiel einer aufgebogenen Büroklammer. Dadurch werden die Einstellungen auf die Werksvorgaben rückgesetzt, der LCD-Bildschirm startet neu. Gespeicherte Fotos und Videos werden dabei nicht gelöscht.

**Vorsicht:** Die korrekte Netzspannung entnehmen Sie der Tabelle mit den technischen Daten. Schließen Sie ein 220-V-Gerät niemals ohne Spannungswandler an eine 110-V-Steckdose an und umgekehrt. In den meisten europäischen Ländern beträgt die Netzspannung 220—240 V; in den USA und Kanada beträgt sie 110 V.

## Objekttscheinlage aus Glas

- Die Objekttscheinlage aus Mattglas kann für Beobachtungen transparenter Proben oder dünner Schnitte eingesetzt werden. Platzieren Sie die Einlage auf dem Objektstisch und fixieren Sie sie mit der Verriegelungsschraube. Verwenden Sie für Beobachtungen mit der Glaseinlage die untere Beleuchtungsquelle.
- Mit dem Mikroskop werden zusätzliche schwarze und weiße Objektträger geliefert. Bei weißen oder sehr hellen Proben benutzen Sie das bessere Kontrastes wegen einen schwarzen Objektträger, schalten lediglich die Beleuchtung von oben ein. Andernfalls benutzen Sie einen weißen Objektträger.

## Anzeigeinformationen

-  Videomodus
-  Fotomodus
-  Wiedergabemodus

## Digitale Vergrößerung

Mit der Aufwärtstaste vergrößern Sie die Bildarstellung, mit der Abwärtstaste verkleinern Sie die Darstellung.

## Aufnehmen eines Bilds

1. Schalten Sie das Mikroskop ein, legen Sie dann die Probe auf den Objektstisch.
2. Stellen Sie das Objektiv mit dem Grobtrieb auf die gewünschte Höhe ein.
3. Regeln Sie die Helligkeit der Beleuchtung so, dass die Probe gleichmäßig ausgeleuchtet ist.
4. Stellen Sie Vergrößerung und Bildschärfe mit dem Grobtrieb und dem Zoomring ein.
5. Zum Aufnehmen eines Fotos drücken Sie die "Capture" (Aufnahme)-Taste.
6. Im Standbildmodus drücken Sie zur Bildaufnahme kurz auf die "OK"-Taste (außer DM500).

## Aufzeichnen eines Videos

1. Drücken Sie die Video-Taste, um in den Videomodus zu wechseln. Das Symbol oben links im Bildschirm zeigt den Videomodus an.

- Zum Starten der Aufzeichnung drücken Sie die "OK"-Taste. Hinweis: Halten Sie die "OK"-Taste nicht gedrückt, drücken Sie nur kurz.
- Zum Stoppen der Videoaufnahme drücken Sie die "OK"-Taste noch einmal.
- Durch kurzes Drücken der "Capture" (Aufnahme)-Taste können Sie ein Standbild aufnehmen, während gerade ein Video aufgezeichnet wird. Auf diese Weise aufgenommene Fotos sind gewöhnlich nicht so scharf wie eigens Fotomodus aufgenommene Bilder.

#### Fotos und Videos anzeigen

- Legen Sie die microSD-Karte in den SD-Kartensteckplatz ein (wenn die Karte nicht eh schon eingelegt ist).
- Drücken Sie zum Umschalten in den Anzeigemodus die Video-Taste zweimal.
- Wählen Sie die Bilder und Videos mit den Links- und Rechts-Tasten aus. Starten Sie die Videowiedergabe mit der "OK"-Taste.
- Mit der Menütaste können Sie beim Betrachten von Fotos oder Videos zusätzliche Optionen einblenden. Halten Sie die Menütaste gedrückt, bis die Optionen erscheinen.

#### Einrichtung

Mit der "Menu" (Menü) gelangen Sie zum Einstellungsmenü des LCD-Bildschirms. Wählen Sie die gewünschten Parameter mit den Steuerungstasten. Zum Speichern der ausgewählten Parameter drücken Sie die "Menu" (Menü) noch einmal. Trennen Sie das Mikroskop nicht von der Stromversorgung, während gerade gespeichert wird. Starten Sie das Mikroskop neu, nachdem Sie die Einstellungen übernommen haben.

#### Datum und Uhrzeit

Wählen Sie mit der "Down" (Abwärtstaste) Datum/Zeit aus dem Hauptmenü, stellen Sie dann das aktuelle Datum und die Uhrzeit ein. Mit den Links-/Rechtstasten an der Fernbedienung treffen Sie die gewünschte Auswahl.

## Technische Daten

Artikelnummer	76826	76825
Modell	Levenhuk Rainbow DM500 LCD	Levenhuk Rainbow DM700 LCD
Digitale Vergrößerung	7—200x	10—200x
Optische Vergrößerung	7—50x	10—50x
Optisches Material	Optikglas	
Gehäuse	Kunststoff	
Objektisch	120x180 mm	
Beweglicher Block	83x43 mm, mit Probenhaltern	
Fokussierung	Grobtrieb, 50 mm	Grobtrieb, 90 mm
Beleuchtung	von oben und unten, LED	
Drehbarer LCD-Farbbildschirm	5"	7"
Megapixel (Sensor/Bild)	2/12	
Maximale Auflösung (Bild/Video)	4032x3024/1920x1080 px	
Bild-/Videoformat	*.jpg/*.avi	
Sensor	1/2,9	
Pixelgröße	2,8 µm	
Empfindlichkeit	3800 mV/Lux·s	
Spektralbereich	410—1100 nm	
Manuelle Einstellungen	Weißabgleich, Belichtungssteuerung	
Anschlüsse (Anschlüsse)	microSD, Micro-USB	
Stromversorgung (Mikroskop)	110—220 V; 5 V, 2 A per USB-Kabel; integrierter 2200-mAh-Akku (Betriebszeit: 3—4 Stunden. Ladezeit: 16—20 Stunden)	110—220 V; 5 V, 2 A per USB-Kabel
Stromversorgung (Infrarotfernbedienung)	2 AAA-Batterien	
Umgebungstemperatur	-20...+70 °C	

Levenhuk behält sich das Recht vor, Produkte ohne vorherige Ankündigung zu modifizieren oder einzustellen.

## Pflege und Wartung

**Richten Sie das Instrument unter keinen Umständen direkt auf die Sonne, andere helle Lichtquellen oder Laserquellen. Es besteht die Gefahr DAUERHAFTER NETZHAUTSCHÄDEN und ERBLINDUNGSGEFAHR.** Treffen Sie geeignete Vorsichtsmaßnahmen, wenn Kinder oder Menschen das Instrument benutzen, die diese Anleitung nicht gelesen bzw. verstanden haben. Prüfen Sie nach dem Auspacken Ihres Mikroskops und vor der ersten Verwendung die einzelnen Komponenten und Verbindungen auf ihre Beständigkeit. Versuchen Sie nicht, das Instrument eigenmächtig auseinanderzunehmen. Wenden Sie sich für Reparaturen oder zur Reinigung an ein spezialisiertes Servicecenter vor Ort. Schützen Sie das Instrument vor plötzlichen Stößen und anderen mechanischen Belastungen. Üben Sie beim Fokussieren keinen übermäßigen Druck aus. Wenden Sie keine übermäßige Kraft auf die Feststellschrauben und Fixierungsschrauben an. Berühren Sie die optischen Oberflächen nicht mit den Fingern. Verwenden Sie zur äußerlichen Reinigung des Instruments ausschließlich die speziellen Reinigungstücher und das spezielle Optik-Reinigungszubehör von Levenhuk. Reinigen Sie die Optik nicht mit korrodierenden Flüssigkeiten oder Flüssigkeiten auf Acetonbasis. Schleifkörper wie Sandkörner dürfen nicht abgewischt werden. Sie können sie wegblasen oder einen weichen Pinsel verwenden. Das Instrument ist nicht für Dauerbetrieb ausgelegt. Lassen Sie das Instrument nicht in direktem Sonnenlicht zurück. Halten Sie das Instrument von Wasser und hoher Feuchtigkeit fern. Lassen Sie Sorgfalt bei der Beobachtung walten und setzen Sie nach Abschluss der Beobachtung die Staubabdeckung wieder auf, um das Gerät vor Staub und Verschmutzungen zu schützen. Bewahren Sie bei längeren Phasen der Nichtbenutzung die Objektivlinsen und Okulare getrennt vom Mikroskop auf. Lagern Sie das Instrument an einem trockenen, kühlen Ort, der frei von Staub, gefährlichen Säuren und anderen Chemikalien ist, und in ausreichendem Abstand zu Heizgeräten, offenem Feuer und anderen Hochtemperaturquellen. Setzen Sie das Mikroskop nach Möglichkeit nicht in der Nähe brennbarer Materialien oder Substanzen (Benzen, Papier, Karton, Plastik usw.) ein, da sich der Sockel bei der Verwendung erhitzen kann und dies bei Anwesenheit brennbarer Stoffe ein Brandrisiko darstellt. Trennen Sie das Mikroskop immer vom Strom, bevor Sie den Sockel öffnen oder die Beleuchtungslampe austauschen. Lassen Sie sowohl Glühlampen als auch Halogenlampen vor dem Auswechseln zunächst abkühlen, und ersetzen Sie sie stets durch Lampen desselben Typs. Verwenden Sie stets eine Stromquelle mit der Spannung, die in den technischen Angaben zu Ihrem Mikroskop spezifiziert ist. Wird das Instrument an eine Steckdose mit abweichender Spannung angeschlossen, ist mit Beschädigung der elektrischen Schaltkreise des Mikroskops, Durchbrennen der Lampe oder sogar Kurzschlüssen zu rechnen. Kinder dürfen das Mikroskop nur unter Aufsicht Erwachsener verwenden. **Bei Verschlucken eines Kleinteils oder einer Batterie umgehend ärztliche Hilfe suchen!**

## Sicherheitshinweise zum Umgang mit Batterien

Immer die richtige, für den beabsichtigten Einsatz am besten geeignete Batteriegröße und -art erwerben. Stets alle Batterien gleichzeitig ersetzen. Alte und neue Batterien oder Batterien verschiedenen Typs nicht mischen. Batteriekontakte und Kontakte am Instrument vor Installation der Batterien reinigen. Beim Einlegen der Batterien auf korrekte Polung (+ und -) achten. Batterien entnehmen, wenn das Instrument für einen längeren Zeitraum nicht benutzt werden soll. Verbrauchte Batterien umgehend entnehmen. Batterien nicht kurzschließen, um Hitzeentwicklung, Auslaufen oder Explosionen zu vermeiden. Batterien dürfen nicht zum Wiederbeleben erwärmt werden. Batterien nicht öffnen. Instrumente nach Verwendung ausschalten. Batterien für Kinder unzugänglich aufbewahren, um Verschlucken, Ersticken und Vergiftungen zu vermeiden. Entsorgen Sie leere Batterien gemäß den einschlägigen Vorschriften.

## Lebenslange internationale Garantie

Levenhuk garantiert für alle Teleskope, Mikroskope, Ferngläser und anderen optischen Erzeugnisse mit Ausnahme von Zubehör **lebenslanglich** die Freiheit von Material- und Herstellungsfehlern. Die lebenslange Garantie ist eine Garantie, die für die gesamte Lebensdauer des Produkts am Markt gilt. Für Levenhuk-Zubehör gewährleistet Levenhuk die Freiheit von Material- und Herstellungsfehlern innerhalb von **zwei Jahren** ab Kaufdatum. Produkte oder Teile davon, bei denen im Rahmen einer Prüfung durch Levenhuk ein Material- oder Herstellungsfehler festgestellt wird, werden von Levenhuk repariert oder ausgetauscht. Voraussetzung für die Verpflichtung von Levenhuk zu Reparatur oder Austausch eines Produkts ist, dass dieses zusammen mit einem für Levenhuk ausreichenden Kaufbeleg an Levenhuk zurückgesendet wird.

Weitere Einzelheiten entnehmen Sie bitte unserer Website: [www.levenhuk.de/garantie](http://www.levenhuk.de/garantie)  
Bei Problemen mit der Garantie, oder wenn Sie Unterstützung bei der Verwendung Ihres Produkts benötigen, wenden Sie sich an die lokale Levenhuk-Niederlassung.

# Microscopios digitales de la serie Levenhuk Rainbow DM LCD

## ES

Consulte la figura 1 (dispositivo), 2 (pantalla LCD), 3 (panel de control) y 4 (accesorios). Encuentre su modelo de microscopio y vea todos los detalles del dispositivo.

## Desembalado y puesta en funcionamiento

- Desempaquete el microscopio con cuidado y colóquelo sobre una superficie plana.
- Enchufe el cable de alimentación en los conectores correspondientes de la base y de la pantalla LCD, y entonces la retroiluminación y la pantalla se encenderán automáticamente.
- Pulse y mantenga pulsado el botón "Power on/off" (Encendido/apagado) durante 2 segundos en la pantalla para encender y apagar la pantalla.
- Coloque la muestra en la platina móvil y fíjela con las pinzas para portaobjetos. Coloque la platina móvil debajo del objetivo. El kit incluye un conjunto de muestras preparadas para su estudio. Retire la tapa de la lente que lleva la indicación "Q.C. passed" de la parte inferior de la segunda tapa de la lente.
- Ajuste el brillo de la retroiluminación y la claridad de la imagen con el mando de enfoque aproximado.

Es necesaria una tarjeta microSD (se compra por separado) para guardar las imágenes capturadas y los vídeos grabados. Apague el microscopio e inserte la tarjeta microSD en la ranura correspondiente en el cuerpo del microscopio hasta que se fije con un clic. No haga demasiada fuerza cuando inserte la tarjeta microSD. Intente rotar la tarjeta si no se fija fácilmente.

Si la imagen de la pantalla LCD queda inmovilizada, utilice el botón "Reset" (Restablecer) situado en la parte posterior de la pantalla LCD. Utilice un objeto estrecho, tal como un sujetapapeles enderezado, para pulsar el botón. Esto restablecerá todas las configuraciones a los valores predeterminados de fábrica y reiniciará la pantalla LCD. Las fotos o vídeos guardados no se borrarán.

**Advertencia:** Consulte en la tabla de especificaciones cuál es la tensión de alimentación adecuada para este instrumento y no intente nunca conectar un aparato de 220 V en un enchufe de 110 V o viceversa sin utilizar un convertidor. Recuerde que la tensión de red en la mayor parte de los países europeos es 220—240 V mientras que en los EUA y Canadá es 110 V.


### Inserto de cristal esmerilado

- El inserto de cristal esmerilado puede utilizarse para observar muestras transparentes o láminas finas de objetos. Colóquelo sobre la platina y fíjelo con el tornillo de bloqueo. En observaciones realizadas con este inserto es necesario utilizar la fuente de iluminación inferior.
- Con el microscopio se suministran platinas adicionales de vidrio de color blanco y negro. Si la muestra es blanca o brillante, para obtener un mejor contraste de imagen, utilice la platina de vidrio negro con tan solo la iluminación superior encendida. En otro caso, utilice la platina de vidrio blanco.

### Información de la pantalla

 Modo vídeo

 Modo foto

 Modo reproducción

### Aumento digital

Durante las observaciones, presione el botón "Up" (Arriba) para agrandar la imagen y el botón "Down" (Abajo) para reducir la imagen.

### Capturar una imagen

1. Encienda el microscopio y coloque una muestra en la platina.
2. Coloque el objetivo a la altura deseada utilizando el mando de enfoque aproximado.
3. Ajuste el brillo de la iluminación de manera que el espécimen esté iluminado de forma regular.
4. Ajuste la ampliación y nitidez de la imagen girando el mando de enfoque aproximado y el anillo de zoom óptico.
5. Para tomar una foto, pulse el botón "Capture" (Captura).
6. En el modo "Freeze" (Inmovilizado), pulse brevemente el botón "OK" para tomar una foto (excepto en el modelo DM500).

### Grabar un vídeo

1. Pulse la tecla "Vídeo" (Vídeo) para pasar al modo de vídeo. El icono en la esquina superior izquierda de la pantalla cambiará para confirmar.
2. Presione el botón "OK" para comenzar a grabar. **Nota:** No mantenga pulsado el botón "OK"; en lugar de ello, púselo brevemente y suéltelo.
3. Pulse de nuevo el botón "OK" para detener la grabación.
4. Pulse el botón "Capture" (Capturar) para tomar una foto mientras el microscopio está grabando un vídeo. Si toma una foto de esta manera, es posible que la resolución de la imagen no sea tan alta como la resolución del vídeo; la calidad de la imagen será menor.

### Ver fotos y vídeos

1. Inserte la tarjeta microSD en la ranura SD.
2. Pulse el botón "Vídeo" (Vídeo) dos veces para activar el modo de visualización.
3. Pulse los botones "Right" (Derecha) e "Left" (Izquierda) para ver las imágenes y vídeos. Pulse el botón "OK" para comenzar a reproducir el vídeo.
4. Utilice el botón "Menu" (Menú) para disponer de opciones adicionales al visualizar una imagen estática o un vídeo. Pulse y mantenga pulsado el botón "Menu" (Menú) hasta que aparezcan las opciones.

### Configuración

Pulse el botón "Menu" (Menú) para ir al menú de configuración de la pantalla LCD. Use los botones de control para seleccionar los parámetros requeridos. Pulse el botón "Menu" (Menú) nuevamente para guardar los parámetros seleccionados. No apague el microscopio mientras guarda la configuración. Reinicie el microscopio después de aplicar la configuración.

### Fecha y hora

Seleccione Fecha/Hora en el menú principal pulsando el botón "Down" (Flecha) abajo y establezca la fecha y hora actuales. Puede utilizar los botones "Left" (Izquierda) y "Right" (Derecha) del mando a distancia para seleccionar los datos necesarios.

## Especificaciones

ID de producto	76826	76825
Modelo	Levenhuk Rainbow DM500 LCD	Levenhuk Rainbow DM700 LCD
Ampliación digital	7—200x	10—200x
Ampliación óptica	7—50x	10—50x
Material de la óptica	vidrio óptico	
Cuerpo	plástico	
Platina	120x180 mm	
Bloque movable	83x43 mm, con portamuestras	
Sistema de enfoque	aproximado, 50 mm	aproximado, 90 mm
Iluminación	superior e inferior, LED	
Pantalla LCD a color giratoria	5"	7"
Megapíxeles (sensor/imagen)	2/12	
Resolución máx. (imagen/vídeo)	4032x3024/1920x1080 px	
Formato de imagen/vídeo	*.jpg/*.avi	
Sensor	1/2,9	
Tamaño de píxel	2,8 µm	
Sensibilidad	3800 mV/Lux-s	
Rango espectral	410—1100 nm	
Configuración manual	balance de blancos, control de exposición	
Salida (conectores)	microSD, microUSB	
Fuente de alimentación (microscopio)	110—220 V; 5 V, 1 A mediante cable USB; batería incorporada de 2200 mAh (tiempo de funcionamiento: 3—4 horas, tiempo de carga: 16—20 horas)	110—220 V; 5 V, 1 A mediante cable USB
Fuente de alimentación (mando a distancia por infrarrojos)	2 pilas AAA	



Rango de temperaturas de funcionamiento	-20...+70 °C
---	--------------

Levenhuk se reserva el derecho a modificar o descatalogar cualquier producto sin previo aviso.

## Cuidado y mantenimiento

**Nunca, bajo ninguna circunstancia, mire directamente al sol, a otra fuente de luz intensa o a un láser a través de este instrumento, ya que esto podría causar DAÑO PERMANENTE EN LA RETINA Y CEGUERA.** Tome las precauciones necesarias si utiliza este instrumento acompañado de niños o de otras personas que no hayan leído o que no comprendan totalmente estas instrucciones. Tras desembalar el microscopio y antes de utilizarlo por primera vez, compruebe el estado y la durabilidad de cada componente y cada conexión. No intente desmontar el instrumento usted mismo bajo ningún concepto, ni siquiera para limpiar el espejo. Si necesita repararlo o limpiarlo, contacte con el servicio técnico especializado que corresponda a su zona. Proteja el instrumento de impactos súbitos y de fuerza mecánica excesiva. No aplique una presión excesiva al ajustar el foco. No apriete demasiado los tornillos de bloqueo. No toque las superficies ópticas con los dedos. Para limpiar el exterior del instrumento, utilice únicamente los paños y herramientas de limpieza especiales de Levenhuk. No limpie las superficies ópticas con fluidos corrosivos ni a base de acetona. No limpie las partículas abrasivas, como por ejemplo arena, con un paño. Únicamente soplelas o bien pase un cepillo blando. No utilice este dispositivo durante períodos largos de tiempo ni lo deje sin atender bajo la luz directa del sol. Protéjalo del agua y la alta humedad. Tenga cuidado durante las observaciones y cuando termine recuerde volver a colocar la cubierta para proteger el dispositivo del polvo y las manchas. Si no va a utilizar el microscopio durante periodos largos de tiempo, guarde las lentes del objetivo y los oculares por separado del microscopio. Guarde el instrumento en un lugar seco y fresco, alejado de ácidos peligrosos y otros productos químicos, radiadores, de fuego y de otras fuentes de altas temperaturas. Cuando uses el microscopio intenta no hacerlo cerca de materiales o sustancias inflamables (benceno, papel, cartón, plástico, etc.) ya que la base puede calentarse con el uso y suponer un riesgo de incendio. Desconecta siempre el microscopio de la fuente de alimentación antes de abrir la base o cambiar la bombilla. Independientemente del tipo de lámpara (halógena o incandescente), dale tiempo de enfriarse antes de cambiarla y sustitúyela siempre por otra del mismo tipo. Utiliza siempre una fuente de alimentación con el voltaje apropiado, el indicado en las especificaciones de tu nuevo microscopio. Si conectas el instrumento a un enchufe distinto podrías dañar el circuito eléctrico, fundir la lámpara o incluso provocar un cortocircuito. Los niños únicamente deben utilizar este microscopio bajo la supervisión de un adulto. **En el caso de que alguien se trague una pieza pequeña o una pila, busque ayuda médica inmediatamente.**

## Instrucciones de seguridad para las pilas

Compre siempre las pilas del tamaño y grado indicado para el uso previsto. Reemplace siempre todas las pilas al mismo tiempo. No mezcle pilas viejas y nuevas, ni pilas de diferentes tipos. Limpie los contactos de las pilas y del instrumento antes de instalarlas. Asegúrese de instalar las pilas correctamente según su polaridad (+ y -). Quite las pilas si no va a utilizar el instrumento durante un periodo largo de tiempo. Retire lo antes posible las pilas agotadas. No cortocircuite nunca las pilas ya que podría aumentar su temperatura y podría provocar fugas o una explosión. Nunca caliente las pilas para intentar reavivarlas. No intente desmontar las pilas. Recuerde apagar el instrumento después de usarlo. Mantenga las pilas fuera del alcance de los niños para eliminar el riesgo de ingestión, asfixia o envenenamiento. Deseche las pilas usadas tal como lo indiquen las leyes de su país.

## Garantía internacional de por vida Levenhuk

Todos los telescopios, microscopios, prismáticos y otros productos ópticos de Levenhuk, excepto los accesorios, cuentan con una **garantía de por vida** contra defectos de material y de mano de obra. La garantía de por vida es una garantía a lo largo de la vida del producto en el mercado. Todos los accesorios Levenhuk están garantizados contra defectos de material y de mano de obra durante **dos años** a partir de la fecha de compra en el minorista. Levenhuk reparará o reemplazará cualquier producto o pieza que, una vez inspeccionada por Levenhuk, se determine que tiene defectos de materiales o de mano de obra. Para que Levenhuk pueda reparar o reemplazar estos productos, deben devolverse a Levenhuk junto con una prueba de compra que Levenhuk considere satisfactoria.

Para más detalles visite nuestra página web: [www.levenhuk.es/garantia](http://www.levenhuk.es/garantia)

En caso de problemas con la garantía o si necesita ayuda en el uso de su producto, contacte con su oficina de Levenhuk más cercana.

# Levenhuk Rainbow DM LCD sorozatú digitális mikroszkópok

HU

Kérjük, tekintse meg az 1. (készülék), a 2. (LCD-kijelző), a 3. (vezérlőpanel) és a 4. (tartozékok) ábrát. Keressen rá a mikroszkóp típusára, és tekintse meg a készülékre vonatkozó összes részletet.

## Az első lépések

- Óvatosan csomagolja ki a mikroszkópot és helyezze egyenes felületre.
- Csatlakoztassa a tápkábel az alaplapon és az LCD képernyőn található megfelelő csatlakozókhoz, ezután a háttérvilágítás és a képernyő automatikusan bekapcsol.
- A képernyő be- és kikapcsolásához tartsa nyomva 2 másodpercig a képernyőn lévő "Power on/off" (Ki-/bekapcsoló) gombot.
- Helyezze a mikropreparátumot a mozgatható tömbre, és rögzítse a mintatartókkal. Helyezze a mozgatható tömböt az objektív alá. A készletben tanulmányozási célból azonnal használható mikropreparátum-készlet található. Távolítsa el a második lencsesapka aljáról a "Q.C. passed" (sikeres minőségellenőrzést igazoló címke) feliratú lencsesapkát.
- Állítsa be a háttérvilágítás fényerejét, majd a durvafókusz-állító gombbal állítsa be a kép tisztaságát.

A felvett képek és rögzített felvételek elmentéséhez micro-SD-kártyára (külön kapható) van szükség. Kapcsolja ki a mikroszkópot, majd helyezze be a micro-SD-kártyát a mikroszkóp vázában megfelelő foglalatába úgy, hogy az a helyére pattanjon. Behelyezéskor ne nyomja meg túlzott erővel a micro-SD-kártyát. Ha a kártya nem illeszkedik könnyedén a helyére, akkor fordítsa meg a kártyát.

Ha az LCD képernyő lefagy, keresse meg az LCD képernyőn hátulján lévő "Reset" (Visszaállítás) gombot. A gombot egy keskeny tárggyal — például egy kiegyenesített gemkapoccsal — nyomja meg. Ekkor minden beállítás visszaáll a gyári alapértelmezett beállításra, az LCD képernyő pedig újraindul. A mentett fényképek és videók nem törölődnek.

**Vigyázat:** kérjük, a megfelelő feszültséggel kapcsolatban nézze meg a műszaki leírást, és soha ne próbálja meg a 110 V-os eszközt 220 V-os aljzathoz csatlakoztatni (és fordítva) átalakító használata nélkül. Ne feledje, hogy az Egyesült Államokban és Kanadában a hálózati feszültség 110 V, míg a legtöbb európai országban 220—240 V.

## Tárgyasztal betét üveg

- A matt üveg tárgyasztal betét átlátszó minták vagy vékony objektumszeletek megfigyelésére használható. Helyezze a tárgyasztalra, és rögzítse a helyére a rögzítőcsavarral. Ezzel az üveg tárgyasztal betéttel alsó megvilágítási forrást kell használni a megfigyelések során.
- A mikroszkóphoz kiegészítő fekete és fehér üveg tárgylemezek is tartoznak. Ha a minta fehér vagy fényes színű, akkor a hatékonyabb kontraszt érdekében használjon fekete üveg tárgylemezt úgy, hogy csak a felső világítás van felkapcsolva. Más esetekben használjon fehér üveg tárgylemezt.

## Megjelenő információk



Videó üzemmód



Fénykép üzemmód



Lejátszás üzemmód

## Digitális nagyítás

Megfigyelés közben a kép nagyítható a "Up" (Fel) gomb megnyomásával és kicsinyíthető a "Down" (Le) gomb megnyomásával.

## Kép rögzítése

1. Kapcsolja be a mikroszkópot, és helyezze a mintát a tárgyasztalra.
2. Állítsa az objektívet a kívánt magasságra a durvafókusz-állító gombbal.
3. Állítsa be a világítás fényerejét úgy, hogy a minta kellően megvilágított legyen.
4. A durvafókusz-állító gomb és az optikaizoom-állító gyűrű elforgatásával állítsa be a nagyítási fokot és a kép élességét.
5. Fénykép készítéséhez nyomja meg a "Capture" (Felvétel) gombot.
6. "Freeze" (Kimerevítési) üzemmódban a fényképezéshez röviden nyomja meg az "OK" gombot (kivéve: DM500).

## Videó rögzítése

1. Nyomja meg a "Video" (Videó) gombot a videó üzemmódra váltáshoz. A művelet megerősítéseként a képernyő bal felső sarkában található ikon megváltozik.

- A felvétel megkezdéséhez nyomja meg a felvételt "OK" gombot. Megjegyzés: ne tartsa nyomva az "OK" gombot, csak röviden nyomja meg, azután engedje el.
- A rögzítés leállításához nyomja meg ismét az "OK" gombot.
- Ha szeretne fényképet készíteni, miközben a mikroszkóp éppen videót rögzít, nyomja meg a "Capture" (Felvétel) gombot. Ha ilyen módon készít fényképet, a kép felbontása elképzelhető, hogy nem lesz olyan magas, mint a videó felbontása — a kép minősége rosszabb lesz.

#### Képek és videók megtekintése

- Helyezze be a micro-SD kártyát az SD-helyre.
- A "Video" (Videó) gomb kétszeri megnyomásával lépjen be a megtekintő módba.
- A "Right" (Jobb) és "Left" (Bal) gombok megnyomásával megtekintheti a képeket és videókat. A videofelvétel lejátszásához nyomja meg a "OK" gombot.
- Állókép vagy videó megtekintése közben a "Menu" (Menü) gomb segítségével további funkciók jeleníthetők meg. Tartsa nyomva a "Menu" (Menü) gombot addig, amíg meg nem jelennek a lehetőségek.

#### Beállítások

"Menu" (Menü) gomb megnyomásával menjen az LCD-kijelzőn a beállítások menübe. Az irányító gombokkal válassza ki a megfelelő paramétereket "Menu" (Menü) gomb újbóli megnyomásával mentse el a kijelölt paramétereket. A beállítások mentése közben ne kapcsolja ki a mikroszkópot.

#### Dátum és idő

Válassza ki a "Date/Time" (Dátum/Idő) opciót a főmenüből a "Down" (Le) gombbal, majd állítsa be az aktuális dátumot és időt. A távvezérlőn lévő "Left" (Bal) és "Right" (Jobb) gombokkal kiválaszthatók a kívánt adatok.

## Műszaki adatok

Terméazonosító	76826	76825
Modell	Levenhuk Rainbow DM500 LCD	Levenhuk Rainbow DM700 LCD
Digitális nagyítás	7—200x	10—200x
Optikai nagyítás	7—50x	10—50x
Optika anyaga	optikai üveg	
Váz	műanyag	
Tárgyasztal	120x180 mm	
Mozgatható blokk	83x43 mm, minta tartókkal	
Élességállítási (más néven: fókuszálási) rendszer	durva, 50 mm	durva, 90 mm
Megvilágítás	felső és alsó, LED	
Elforgatható, színes LCD képernyő	5"	7"
Megapixel (érzékelő/kép)	2/12	
Max. felbontás (kép/videó)	4032x3024/1920x1080 px	
Kép/videó formátuma	*.jpg/*.avi	
Érzékelő	1/2,9	
Képpont méret	2,8 µm	
Érzékenység	3800 mV/Lux:s	
Színképtartomány	410—1100 nm	
Manuális beállítások	fehéregyensúly, felvétel vezérlés	
Kimenet (csatlakozók)	micro-SD, micro-USB	
Tápellátás (mikroszkóp)	110—220 V; 5 V, 1 A USB kábellel; beépített 2200 mAh akkumulátor (üzemidő: 3—4 óra, töltési idő: 16—20 óra)	110—220 V; 5 V, 1 A USB kábellel
Tápellátás (infravörös, távoli)	2 db AAA elem	
Üzemi hőmérséklet-tartomány	-20...+70 °C	

A Levenhuk vállalat fenntartja a jogot, hogy bármely termékét előzetes értesítés nélkül módosítsa vagy kivonja a forgalomból.

## Ápolás és karbantartás

**Ennek az eszköznek a használatával soha, semmilyen körülmények között ne nézzon közvetlenül a Napba, vagy egyéb, nagyon erős fényforrásba vagy lézersugárba, mert ez MARADANDÓ KÁROSODÁST OKOZ A RETINÁJÁBAN ÉS MEG IS VAKULHAT.** Legyen kellően óvatos, ha gyermekekkel vagy olyan személyekkel együtt használja az eszközt, akik nem olvasták vagy nem teljesen értették meg az előbbieken felsorolt utasításokat. A mikroszkóp kicsomagolása után, de még annak legelső használata előtt ellenőrizze az alkatrészek és csatlakozások sérülésmentes állapotát és tartósságát. Bármilyen is az ok, semmiképpen ne kísérelje meg szétszerelni az eszközt. Ha az eszköz javításra vagy tisztításra szorul, akkor keresse fel vele a helyi szakszervizt. Óvja az eszközt a hirtelen behatásoktól és a hosszabb ideig tartó mechanikai erőktől. Ne használjon túlzott erőt a fókuszt beállításánál. Ne húzza túl a szorítócsavarokat. Az optikai elemek felületéhez soha ne érjen az ujjával. Az eszköz külső megtisztításához használja a Levenhuk által erre a célra gyártott tisztítókendőt és optikai tisztító eszközöket. Az optikai elemek tisztításához ne használjon maró hatású vagy aceton-alapú folyadékokat. A koptató hatású részecskéket, például a homokot ne törlessen, hanem fújással vagy puha ecsettel távolítsa el a lencséről. Ne használja az eszközt hosszú időtartamon keresztül a tűző napon, vagy ne hagyja ott felügyelet nélkül. Tartsa az eszközt víztől és magas páratartalomtól védett helyen. Legyen körültekintő a megfigyelések során, mindig helyezze vissza a porvédőt a megfigyelés befejeztével, így megóvhatja eszközét a portól és a szennyeződésektől. Ha a mikroszkóp hosszabb ideig használaton kívül van, akkor a mikroszkóptól elkülönítetten tárolja az objektívlencséket és a szemlencséket. Száraz, hűvös helyen tárolja az eszközt, veszélyes savaktól és egyéb kémiai anyagoktól elkülönítetten, hőségvédőként, nyílt lángtól és egyéb hőforrásoktól távol. Lehetőség szerint ne használja a mikroszkópot gyúlékony anyagok közelében (benzol, papír, kartonlap, műanyag, stb.), mivel a megfigyelés során a mikroszkóp talpazata felmelegedhet és így tűzveszélyessé válhat. A talpazat kinyitása vagy a megvilágítást biztosító izzó kicserélése előtt minden esetben áramtalanítsa a mikroszkópot. Csere előtt az izzó típusától függetlenül (halogén vagy hűgőanyag) minden esetben várja meg, amíg az izzó lehűl, és mindig ugyanolyan típusú izzót használjon. A tápellátást mindig a megfelelő hálózati feszültségi szint mellett használja, azaz kövesse az újonnan vásárolt mikroszkópjának műszaki leírását. Az eszköznek a leírástól eltérő típusú aljzathoz történő csatlakoztatása tönkretelheti a mikroszkóp áramkörét, kiéghet az izzó vagy akár rövidzárlatot is okozhat ezzel. A gyermekek a mikroszkópot csak felnőttn felügyelete mellett használhatják. **Azonnal forduljon orvoshoz, amennyiben bárki lenyelt egy kis alkatrészt vagy elemet.**

## Az elemekkel kapcsolatos biztonsági intézkedések

Mindig a felhasználásnak legmegfelelőbb méretű és fokozatú elemet vásárolja meg. Elemcsere során mindig az összes elemet egyszerre cserélje ki; ne keverje a régi elemeket a frissel, valamint a különböző típusú elemeket se keverje egymással

össze. Az elemek behelyezése előtt tisztítsa meg az elemek és az eszköz egymással érintkező részeit. Győződjön meg róla, hogy az elemek a pólusokat tekintve is helyesen kerülnek az eszközbe (+ és -). Amennyiben az eszközt hosszabb ideig nem használja, akkor távolítsa el az elemeket. A lemerült elemeket azonnal távolítsa el. Soha ne zárja rövidre az elemeket, mivel így azok erősen felmelegedhetnek, szivárogni kezhetnek vagy felrobbanhatnak. Az elemek élettartamának megnöveléséhez soha ne kísérelje meg felmelegíteni azokat. Ne bontsa meg az akkumulátorokat. Használat után ne felejtse el kikapcsolni az eszközt. Az elemeket tartsa gyermekektől távol, megelőzve ezzel a lenyelés, fulladás és mérgezés veszélyét. A használt elemeket az Ön országában érvényben lévő jogszabályoknak megfelelően adhatja le.

## A Levenhuk nemzetközi, élettartamra szóló szavatossága

A Levenhuk vállalat a kiegészítők kivételével az összes Levenhuk gyártmányú teleszkóphoz, mikroszkóphoz, kétszemes távcsőhöz és egyéb optikai termékekhez **élettartamra szóló** szavatosságot nyújt az anyaghibák és/vagy a gyártási hibák vonatkozásában. Az élettartamra szóló szavatosság a termék piaci forgalmazási időszakának a végéig érvényes. A Levenhuk-kiegészítőkhöz a Levenhuk-vállalat a kiskereskedelmi vásárlás napjától számított **két évig** érvényes szavatosságot nyújt az anyaghibák és/vagy a gyártási hibák vonatkozásában. A Levenhuk vállalat vállalja, hogy a Levenhuk vállalat általi megvizsgálás során anyaghibásnak és/vagy gyártási hibásnak talált terméket vagy termékalkatrészt megjavítja vagy kicseréli. A Levenhuk vállalat csak abban az esetben köteles megjavítani vagy kicserélni az ilyen terméket vagy termékalkatrészt, ha azt a Levenhuk vállalat számára elfogadható vásárlási bizonylattal együtt visszaküldik a Levenhuk vállalat felé.

További részletekért látogasson el weboldalunkra: [www.levenhuk.hu/garancia](http://www.levenhuk.hu/garancia)

Amennyiben garanciális probléma lépne fel vagy további segítségre van szüksége a termék használatát illetően, akkor vegye fel a kapcsolatot a helyi Levenhuk üzlettel.

# Microscopi digitali Levenhuk Rainbow DM LCD

IT

Fare riferimento alle fig. 1 (strumento), 2 (schermo LCD), 3 (pannello di controllo) e 4 (accessori). Basta trovare il proprio modello di microscopio per visualizzare tutti i dettagli dello strumento.

## Fasi iniziali

- Estrarre il microscopio dalla confezione e posizionarlo con attenzione su una superficie piana.
- Inserire il cavo di alimentazione nei relativi connettori sulla base e sullo schermo LCD: la retroilluminazione e lo schermo si accenderanno in automatico.
- Tenere premuto il pulsante "Power on/off" (Interruttore on/off) per 2 secondi, in modo da accendere o spegnere lo schermo.
- Posizionare il micropreparato sul tavolino mobile e fissarlo con il porta campione. Posizionare il tavolino mobile sotto l'obiettivo. Il kit comprende un set di micropreparati già pronti allo studio. Rimuovere l'etichetta "Q.C. passed" (controllo qualità superato) dal fondo della seconda copertura della lente.
- Regolare la luminosità della retroilluminazione e la chiarezza dell'immagine tramite la manopola di messa a fuoco grossolana.

Per salvare le immagini catturate e i video registrati è necessaria una scheda microSD (da acquistare separatamente). Spegnerlo lo strumento e inserire la scheda microSD nel corrispondente slot sul corpo del microscopio, fino a bloccarla in posizione con un clic. Non applicare una forza eccessiva quando si inserisce la scheda microSD. Provare a ruotare la scheda nel caso in cui non si blocchi facilmente in posizione.

In caso di blocco dello schermo LCD, cercare il pulsante "Reset" sul retro dello schermo. Premere il pulsante utilizzando un oggetto sottile, come l'estremità di una graffetta aperta. Così facendo, verranno ripristinate le impostazioni di fabbrica e lo schermo LCD verrà riavviato. Le foto e i video salvati non saranno cancellati.

## Inserito in vetro per il tavolino

- È possibile utilizzare un inserto in vetro satinato per l'osservazione di campioni trasparenti o tagliati in sezioni sottili. L'inserto va posizionato sul tavolino e fissato

**Attenzione:** per informazioni riguardo la corretta tensione di rete, fare riferimento alla tabella delle specifiche; non cercare assolutamente di collegare un dispositivo a 220 V a una presa di corrente a 110 V e viceversa senza utilizzare un convertitore di tensione. Si tenga presente che la tensione di rete è di 220—240 V nella maggior parte dei paesi europei e di 110 V negli Stati Uniti e in Canada.

con la vite di bloccaggio. Si consiglia di utilizzare l'illuminazione dal basso per effettuare osservazioni tramite questo inserto in vetro.

- Ulteriori vetri bianchi e neri sono forniti assieme al microscopio. Se il campione è bianco o luminoso, allora è consigliato usare un vetrino nero per migliorare il contrasto e illuminarlo solo dall'alto. In caso contrario, usare un vetrino bianco.

## Informazioni sul display



Modalità video



Modalità foto



Modalità riproduzione

## Ingrandimento digitale

Durante le osservazioni, premere il pulsante "Up" (Su) per ingrandire l'immagine e "Down" (Giù) per rimpicciolirla.

## Cattura di un'immagine

1. Accendi il microscopio e posiziona un campione sul tavolino.
2. Posizionare l'obiettivo all'altezza desiderata usando la manopola di messa a fuoco grossolana.
3. Regolare la luminosità, in modo che il campione sia illuminato uniformemente.
4. Regolare l'ingrandimento e la nitidezza dell'immagine ruotando la manopola di messa a fuoco grossolana e l'anello dello zoom ottico.
5. Per scattare una foto, premere il pulsante "Capture" (Cattura).
6. In modalità "Freeze" (Blocco), tenere premuto brevemente il pulsante "OK" per scattare una foto (tranne DM500).

## Registrazione di un video

1. Premere il pulsante "Video" per passare in modalità video. L'icona nell'angolo superiore sinistro dello schermo cambierà di conseguenza.
2. Premere il pulsante "OK" per iniziare la registrazione. **Nota:** non tenere premuto il pulsante "OK": esercitare una pressione veloce e quindi rilasciare il pulsante.

3. Premere nuovamente il pulsante "OK" per fermare la registrazione.
4. Premere il pulsante "Capture" (Cattura) per scattare una foto mentre il microscopio sta registrando un video. L'immagine scattata in questo modo potrebbe non avere la stessa risoluzione del video: la qualità dell'immagine risulterà inferiore.

#### Visualizzare foto e video

1. Inserire la scheda microSD nell'apposito slot.
2. Premere due volte il pulsante "Video" per passare alla modalità di visualizzazione.
3. Premere i pulsanti "Right" (Destra) e "Left" (Sinistra) per scorrere tra le foto e i video. Premere il pulsante "OK" per riprodurre un video.
4. Usare il pulsante "Menu" (Menù) per avere accesso a ulteriori opzioni durante la riproduzione di un'immagine o un video. Tenere premuto il pulsante "Menù" fino alla comparsa delle opzioni.

#### Setup

Premere il pulsante "Menu" (Menù) per entrare nel menù impostazioni dello schermo LCD. Usare i pulsanti di controllo per selezionare i parametri necessari. Premere di nuovo il pulsante "Menu" (Menù) per salvare i parametri selezionati. Non spegnere il microscopio mentre è in corso il salvataggio delle impostazioni. Riavviare il microscopio dopo aver applicato le impostazioni.

#### Data e ora

Selezionare "Date/Time" (Data/Ora) dal menù principale premendo il pulsante "Down" (Giù) e quindi impostare data e ora correnti. È possibile usare i pulsanti "Left" (Sinistra) e "Right" (Destra) sul telecomando per selezionare i dati desiderati.

## Specifiche

ID prodotto	76826	76825
Modello	Levenhuk Rainbow DM500 LCD	Levenhuk Rainbow DM700 LCD
Ingrandimento digitale	7—200x	10—200x
Ingrandimento ottico	7—50x	10—50x
Materiale delle ottiche	vetro ottico	
Corpo	plastica	
Tavolino	120x180 mm	
Blocco mobile	83x43 mm, con portacampione	
Sistema di messa a fuoco	grossolana, 50 mm	grossolana, 90 mm
Illuminazione	superiore e inferiore, LED	
Schermo LDC a colori e girevole	5"	7"
Megapixel (sensore/immagine)	2/12	
Risoluzione massima (immagine/video)	4032x3024/1920x1080 px	
Immagine/formato video	*.jpg/*.avi	
Sensore	1/2,9	
Dimensione pixel	2,8 µm	
Sensibilità	3800 mV/Lux-s	
Range spettrale	410—1100 nm	
Impostazioni manuali	bilanciamento del bianco, controllo esposizione	
Uscite (connettori)	microSD, Micro-USB	
Alimentazione (microscopio)	110—220 V; 5 V, 1 A tramite cavo USB; batteria incorporata da 2200 mAh (durata: 3—4 ore; tempo di ricarica: 16—20 ore)	110—220 V; 5 V, 1 A tramite cavo USB
Alimentazione (telecomando IR)	batterie AAA 2 pz.	

Intervallo temperature di funzionamento	-20...+70 °C
---	--------------

Levenhuk si riserva il diritto di modificare qualsiasi prodotto o sospenderne la produzione senza alcun preavviso.

## Cura e manutenzione

**Non utilizzare in nessun caso questo apparecchio per guardare direttamente il sole, un'altra sorgente di luce ad alta luminosità o un laser, perché ciò potrebbe provocare DANNI PERMANENTI ALLA RETINA e portare a CECITÀ.** Nel caso si utilizzi l'apparecchio in presenza di bambini o altre persone che non siano in grado di leggere o comprendere appieno queste istruzioni, prendere le precauzioni necessarie. Dopo aver disimballato il microscopio e prima di utilizzarlo per la prima volta, verificare l'integrità e lo stato di conservazione di tutte le componenti e le connessioni. Non cercare per nessun motivo di smontare autonomamente l'apparecchio. Per qualsiasi intervento di riparazione e pulizia, contattare il centro di assistenza specializzato di zona. Proteggere l'apparecchio da urti improvvisi ed evitare che sia sottoposto ad eccessiva forza meccanica. Durante la messa a fuoco, non applicare una forza eccessiva. Non stringere eccessivamente le viti di bloccaggio. Non toccare le superfici ottiche con le dita. Per pulire l'esterno dell'apparecchio, utilizzare soltanto le salviette apposite e gli strumenti di pulizia dell'ottica apposti offerti da Levenhuk. Non utilizzare fluidi corrosivi o a base di acetone per pulire l'ottica del dispositivo. Per rimuovere eventuali particelle abrasive, ad esempio sabbia, dalle lenti, non strofinare, ma soffiare oppure utilizzare una spazzola morbida. Non utilizzare il dispositivo per lunghi periodi e non lasciarlo incustodito sotto i raggi diretti del sole. Non esporre il dispositivo all'acqua o a elevata umidità. Prestare attenzione durante le osservazioni e, una volta terminato, rimettere sempre il coperchio protettivo per proteggere l'apparecchio da polvere e macchie. Se non si intende utilizzare il microscopio per periodi prolungati, conservare le lenti obiettivo e gli oculari separatamente dal microscopio. Conservare l'apparecchio in un posto fresco e asciutto, al riparo da acidi pericolosi e altri prodotti chimici, da apparecchi di riscaldamento, da fiamme libere e da altre fonti di calore. Cercare di non utilizzare il microscopio in prossimità di materiali o sostanze infiammabili (benzene, carta, cartone ecc), poiché la base potrebbe riscaldarsi durante l'utilizzo e rappresentare un rischio di incendio. Disconnettere sempre il microscopio dall'alimentazione prima di aprire la base o sostituire la lampadina di illuminazione. Indipendentemente dal tipo di lampadina (alogeno o a incandescenza), attendere che si sia raffreddata prima di cercare di sostituirla e sostituirla sempre con una lampadina dello stesso tipo. Utilizzare sempre un'alimentazione di tensione adeguata, cioè quella indicata nelle specifiche del microscopio. Collegare lo strumento a una presa di alimentazione differente potrebbe provocare il danneggiamento dei circuiti elettrici del microscopio, bruciare la lampadina o addirittura causare un corto circuito. I bambini dovrebbero utilizzare il microscopio soltanto con la supervisione di un adulto. **In caso di ingestione di una parte di piccole dimensioni o di una batteria, richiedere immediatamente assistenza medica.**

## Istruzioni di sicurezza per le batterie

Acquistare batterie di dimensione e tipo adeguati per l'uso di destinazione. Sostituire sempre tutte le batterie contemporaneamente, evitando accuratamente di mischiare batterie vecchie con batterie nuove oppure batterie di tipo differente. Prima della sostituzione, pulire i contatti della batteria e quelli dell'apparecchio. Assicurarsi che le batterie siano state inserite con la corretta polarità (+ e -). Se non si intende utilizzare l'apparecchio per lungo periodo, rimuovere le batterie. Rimuovere subito le batterie esaurite. Non cortocircuitare le batterie, perché ciò potrebbe provocare forte riscaldamento, perdita di liquido o esplosione. Non tentare di riattivare le batterie riscaldandole. Non disassemblare le batterie. Dopo l'utilizzo, non dimenticare di spegnere l'apparecchio. Per evitare il rischio di ingestione, soffocamento o intossicazione, tenere le batterie fuori dalla portata dei bambini. Disporre delle batterie esaurite secondo le norme vigenti nel proprio paese.

## Garanzia internazionale Levenhuk

Tutti i telescopi, i microscopi i binocoli e gli altri prodotti ottici Levenhuk, ad eccezione degli accessori, godono di una **garanzia a vita** per i difetti di fabbricazione o dei materiali. Garanzia a vita rappresenta una garanzia per la vita del prodotto sul mercato. Tutti gli accessori Levenhuk godono di una garanzia di **due anni** a partire dalla data di acquisto per i difetti di fabbricazione e dei materiali. Levenhuk riparerà o sostituirà i prodotti o relative parti che, in seguito a ispezione effettuata da Levenhuk, risultino presentare difetti di fabbricazione o dei materiali. Condizione per l'obbligo di riparazione o sostituzione da parte di Levenhuk di tali prodotti è che il prodotto venga restituito a Levenhuk unitamente ad una prova d'acquisto la cui validità sia riconosciuta da Levenhuk.

Per maggiori dettagli, visitare il nostro sito web: [www.levenhuk.eu/warranty](http://www.levenhuk.eu/warranty)

Per qualsiasi problema di garanzia o necessità di assistenza per l'utilizzo del prodotto, contattare la filiale Levenhuk di zona.

# Mikroskopy cyfrowe Levenhuk z serii Rainbow DM LCD

PL

Szczegółowe informacje podano na rys. 1 (urządzenie), 2 (ekran LCD), 3 (panel sterowania) i 4 (akcesoria). Znajdź swój model mikroskopu i zobacz wszystkie szczegóły dotyczące urządzenia.

## Rozpakowanie i pierwsze kroki

- Ostrożnie wyjmij mikroskop z opakowania i umieść go na płaskiej powierzchni.
- Podłącz przewód zasilający do odpowiednich złączy w podstawie oraz w ekranie LCD. Podświetlenie i ekran włączą się wtedy automatycznie.
- Naciśnij i przytrzymaj przez 2 sekundy przycisk "Power on/off" (Wł./wył. zasilania) na ekranie, aby włączyć lub wyłączyć ekran.
- Umieść preparat mikroskopowy na ruchomym bloku i zamocuj go w uchwytach do preparatów. Umieść ruchomy blok pod obiektywem. Zestaw zawiera gotowe preparaty do badania. Wyjmij ostonę soczewki oznaczoną symbolem "Q.C. passed" (kontrola jakości zaakceptowana) z dna ostony drugiej soczewki.
- Wyreguluj jasność podświetlenia i ustaw ostrość obrazu przy użyciu pokrętła zgrubnej regulacji ostrości.

Na (dostępnej osobno) karcie micro SD zapisywane są zdjęcia i nagrane filmy. Wyłącz mikroskop i wsuwań kartę micro SD to odpowiedniego gniazda w obudowie mikroskopu aż do momentu jej zablokowania (odgłos kliknięcia). Podczas umieszczania karty micro SD w gnieździe nie wywieraj na nią nadmiernej siły. Jeżeli umieszczenie karty w gnieździe sprawia trudności, należy ją obrócić.

Jeśli ekran LCD zawiesi się, poszukaj przycisku "Reset" (Resetuj) z tyłu ekranu LCD. Użyj wąskiego przedmiotu, takiego jak wyprostowany spinacz do papieru, aby nacisnąć przycisk. Spowoduje to zresetowanie wszystkich ustawień do domyślnych ustawień fabrycznych i ponowne uruchomienie ekranu LCD. Zapisane zdjęcia oraz filmy nie zostaną usunięte.

**Uwaga:** prosimy zapoznać się z tabelą z danymi technicznymi i sprawdzić poprawną wartość napięcia sieciowego. Nie należy podłączać urządzenia o napięciu 220 V do gniazdka o napięciu 110 V ani na odwrót bez użycia przetwornika. Należy pamiętać, że napięcie sieciowe w większości państw europejskich wynosi 220—240 V, natomiast w USA i Kanadzie — 110 V.

## Szkłany stolik

- Stolik ze szkła matowego może być wykorzystywany do obserwacji przezroczystych preparatów lub preparatów w formie cienkich warstw materiału. Umieść preparat na stoliku i unieruchom go za pomocą śruby blokującej. Podczas obserwacji z użyciem szklanego stolika należy korzystać z dolnego źródła światła.
- Wraz z mikroskopem są dostarczane dodatki czarne i białe szkiełka mikroskopowe. Jeżeli preparat jest biały lub jasny, w celu uzyskania lepszego kontrastu obrazu należy użyć czarnego szkiełka mikroskopowego z włączonym tylko górnym oświetleniem. W przeciwnym razie należy użyć białego szkiełka.

## Informacje na wyświetlaczu



Tryb filmów



Tryb zdjęć



Tryb odtwarzania

## Powiększenie cyfrowe

Podczas obserwacji naciśnij przycisk "Up" (W górę), aby powiększyć obraz lub "Down" (W dół), aby zmniejszyć jego powiększenie.

## Przechwytywanie obrazu

1. Włącz mikroskop i umieść preparat na stoliku.
2. Ustaw obiektyw na żądanej wysokości przy użyciu pokrętła zgrubnej regulacji ostrości.
3. Wyreguluj jasność oświetlenia, aby próbka była równo oświetlona.
4. Wyreguluj powiększenie i ostrość obrazu, obracając pokrętło zgrubnej regulacji ostrości oraz pierścień powiększenia optycznego.
5. Aby zrobić zdjęcie, naciśnij przycisk "Capture" (Rejestrowanie).
6. W trybie wstrzymania nagrywania, naciśnij krótko przycisk "OK", aby zrobić zdjęcie (oprócz DM500).

## Nagrywanie filmu

1. Naciśnij przycisk "Video" (Wideo), aby przejść do trybu wideo. Ikona w lewym górnym rogu ekranu zmienia się.



- Naciśnij przycisk "OK", aby rozpocząć nagrywanie. Uwaga: nie przytrzymuj wciśniętego przycisku "OK"; zamiast tego, naciśnij go krótko i zwolnij.
- Naciśnij ponownie przycisk "OK", aby wstrzymać nagrywanie.
- Naciśnij przycisk "Capture" (Rejestrowanie), aby zrobić zdjęcie, gdy mikroskop jest w trybie nagrywania filmów. Zdjęcie zrobione w ten sposób może nie mieć tak wysokiej rozdzielczości jak rozdzielczość filmu — jakość obrazu będzie niższa.

#### Wyświetlanie zdjęć i filmów

- Włóż kartę pamięci micro SD do gniazda SD.
- Dwukrotnie naciśnij przycisk "Video" (Filmy), aby przejść do trybu wyświetlania.
- Naciskaj przyciski "Right" (W prawo) i "Left" (W lewo), aby wyświetlać zdjęcia oraz filmy. Naciśnij przycisk "OK", aby rozpocząć odtwarzanie filmu.
- Naciśnij przycisk "Menu", aby wyświetlić dodatkowe opcje podczas oglądania nieruchomych obrazów lub filmów. Naciśnij i przytrzymaj przycisk "Menu" do momentu pojawienia się opcji.

#### Konfiguracja

Naciśnij przycisk "Menu", aby przejść do menu ustawień ekranu LCD. Użyj przycisków sterowania, aby wybrać żądane parametry. Naciśnij ponownie przycisk "Menu", aby zapisać wybrane parametry. Nie wyłączaj zasilania mikroskopu podczas zapisywania ustawień. Po zastosowaniu ustawień uruchom ponownie mikroskop.

#### Data i czas

Wybierz "Data/Czas w" menu głównym przyciskiem w "Down" (Dół) i ustaw bieżącą datę i godzinę. Możesz używać przycisków "Left" (W lewo) i "Right" (W prawo) na pilocie, aby wybrać żądane dane.

## Dane techniczne

Identyfikator produktu	76826	76825
Model	Levenhuk Rainbow DM500 LCD	Levenhuk Rainbow DM700 LCD
Powiększenie cyfrowe	7—200x	10—200x
Powiększenie optyczne	7—50x	10—50x
Materiał układu optycznego	szkło optyczne	
Korpus	plastikowy	
Stolik	120x180 mm	
Ruchomy blok	83x43 mm, z zaczepami do preparatów	
Mechanizm regulacji ostrości	zgrubne, 50 mm	zgrubne, 90 mm
Oświetlenie	górne i dolne, LED	
Obracany kolorowy ekran LCD	5"	7"
Megapiksele (matryca/obraz)	2/12	
Maks. rozdzielczość (obraz/film)	4032x3024/1920x1080 px	
Format obraz/film	*.jpg/*.avi	
Czujnik	1/2,9	
Rozmiar pikseli	2,8 µm	
Czułość	3800 mV/Lux-s	
Zakres spektralny	410—1100 nm	
Ustawienia ręczne	balans bieli, kontrola ekspozycji	
Wyjście (złącza)	micro SD, micro USB	
Zasilanie (mikroskop)	110—220 V; 5 V, 1 A via przewód USB; wbudowany akumulator 2200 mAh (czas pracy: 3—4 godziny, czas ładowania: 16—20 godzin)	110—220 V; 5 V, 1 A via przewód USB
Zasilanie (pilot na podczerwień)	2 szt., baterie AAA	
Zakres temperatury pracy	-20...+70 °C	

Levenhuk zastrzega sobie prawo do modyfikowania lub zakończenia produkcji dowolnego produktu bez wcześniejszego powiadomienia.

## Konserwacja i pielęgnacja

**Pod żadnym pozorem nie wolno kierować przyrządu bezpośrednio na słońce, światło laserowe lub inne źródło jasnego światła, ponieważ może to spowodować TRWAŁE USZKODZENIE SIATKÓWKI lub doprowadzić do ŚLEPOTY.** Zachowaj szczególną ostrożność, gdy urządzenia używają dzieci lub osoby, które nie w pełni zapoznany się z instrukcjami. Po rozpakowaniu mikroskopu i przed jego pierwszym użyciem należy sprawdzić stan i prawidłowość podłączenia każdego elementu. Nie podejmuj prób samodzielnego demontażu urządzenia, nawet w celu wyczyszczenia lustra. W celu wszelkich napraw i czyszczenia skontaktuj się z punktem serwisowym. Chroń przyrząd przed upadkami z wysokości i działaniem nadmiernej siły mechanicznej. Nie należy używać nadmiernej siły podczas ustawiania ostrości. Nie należy dokręcać zbyt mocno śrub blokujących. Nie dotykaj powierzchni optycznych palcami. Do czyszczenia zewnętrznych powierzchni przyrządu używaj tylko specjalnych ściereczek i narzędzi do czyszczenia optyki Levenhuk. Nie czyść układu optycznego za pomocą środków żrących lub zawierających aceton. Ząszczeczki ściierające, takie jak ziarna piasku, powinny być zdmuchiwane z powierzchni soczewek lub usuwane za pomocą miękkiej szcztotki. Nie wystawiaj przyrządu na długotrwałe działanie promieni słonecznych. Trzymaj z dala od wody. Nie należy przechowywać w warunkach wysokiej wilgoci. Podczas obserwacji należy zachować ostrożność. Po zakończeniu obserwacji załóż osłonę przeciwpylewą w celu zabezpieczenia mikroskopu przed kurzem i zanieczyszczeniami. W przypadku korzystania z mikroskopu przez dłuższy czas soczewki obiektywowe i okulary oraz mikroskop należy przechowywać osobno. Przyrząd powinien być przechowywany w suchym, chłodnym miejscu, z dala od kurzu, niebezpiecznych kwasów oraz innych substancji chemicznych, grzejników, otwartego ognia i innych źródeł wysokiej temperatury. Staraj się nie korzystać z mikroskopu w pobliżu łatwopalnych materiałów lub substancji (benzenu, papieru, kartonu, tworzywa sztucznego itp.), ponieważ nagrzewająca się podczas użytkowania podstawa może powodować ryzyko pożaru. Przed każdym otwarciem podstawy lub wymianą lampy odłączaj mikroskop od źródła zasilania. Przed wymianą lampy, niezależnie od jej rodzaju (halogenowa lub żarowa), zaczekaj, aż jej temperatura spadnie. Lampy wymieniaj zawsze na modele tego samego typu. Pamiętaj, aby moc zasilania była dopasowana do napięcia — jest ono podane w danych technicznych nowego mikroskopu. Podłączenie do gniazda zasilającego o innej mocy może spowodować uszkodzenie zespołu obwodów elektrycznych przyrządu, spalenie lampy, a nawet zwarcie. Używanie mikroskopu przez dzieci może odbywać się tylko pod nadzorem osób dorosłych. **W przypadku potknięcia matęj części lub baterii należy natychmiast zwrócić się o pomoc medyczną.**

## Instrukcje dotyczące bezpiecznego obchodzenia się z bateriami

Należy używać baterii odpowiedniego typu i w odpowiednim rozmiarze. Należy wymieniać wszystkie baterie jednocześnie; nie należy łączyć starych i nowych baterii ani

baterii różnych typów. Przed włożeniem baterii należy wyczyścić styki baterii i urządzenia. Podczas wkładania baterii należy zwracać uwagę na ich bieguny (znaki + i -). Jeśli sprzęt nie będzie używany przez dłuższy czas, należy wyjąć baterie. Zużyte baterie należy natychmiast wyjąć. Nie doprowadzać do zwarcia baterii, ponieważ wiąże się to z ryzykiem powstania wysokich temperatur, wycieku lub wybuchu. Nie ogrzewać baterii w celu przedłużenia czasu ich działania. Nie demontuj baterii. Należy pamiętać o wyłączeniu urządzenia po zakończeniu użytkowania. Baterie przechowywać w miejscu niedostępnym dla dzieci, aby uniknąć ryzyka potknięcia, uduszenia lub zatrucia. Zużyte baterie należy utylizować zgodnie z obowiązującymi lokalnie przepisami.

## Gwarancja międzynarodowa Levenhuk

Wszystkie teleskopy, mikroskopy, lornetki i inne przyrządy optyczne Levenhuk, za wyjątkiem akcesoriów, posiadają **dożywotnią gwarancję** obejmującą wady materiałowe i wykonawcze. Dożywotnia gwarancja to gwarancja na cały okres użytkowania produktu. Wszystkie akcesoria Levenhuk są wolne od wad materiałowych i wykonawczych i pozostaną takie przez **dwa lata** od daty zakupu detalicznego. Firma Levenhuk naprawi lub wymieni produkty lub ich części, w przypadku których kontrola prowadzona przez Levenhuk wykaze obecność wad materiałowych lub wykonawczych. Warunkiem wywiązania się przez firmę Levenhuk z obowiązku naprawy lub wymiany produktu jest dostarczenie danego produktu firmie razem z dowodem zakupu uznawanym przez Levenhuk.

Więcej informacji na ten temat znajduje się na stronie: [www.levenhuk.pl/gwarancja](http://www.levenhuk.pl/gwarancja)

W przypadku wątpliwości związanych z gwarancją lub korzystaniem z produktu, proszę skontaktować się z lokalnym przedstawicielem Levenhuk.

# Microscópios digitais da série Levenhuk Rainbow DM LCD

PT

Consulte a Fig. 1 (dispositivo), 2 (ecrã LCD), 3 (painel de controlo) e 4 (acessórios). Encontre o modelo do seu microscópio e veja todos os detalhes do dispositivo.

## Iniciar

- Remova o microscópio da embalagem cuidadosamente e coloque-o numa superfície plana.
- Insira o cabo de alimentação nos conectores correspondentes na base e no ecrã LCD e, em seguida, a luz de fundo e o ecrã acendem-se automaticamente.
- Prima sem soltar o botão "Power on/off" (Ligar/desligar) durante 2 segundos no ecrã para ligar e desligar o ecrã.
- Coloque a micropreparação no bloco amovível e fixe-a com os suportes para espécimes. Coloque o bloco amovível debaixo da objetiva. O kit inclui um conjunto de micropreparações prontas para estudo. Retire a tampa da lente com a etiqueta "Q.C. passed" (controlo de qualidade aprovado) a partir da parte inferior da segunda tampa da lente.
- Ajuste a luminosidade da luz de fundo e ajuste a claridade da imagem com o botão de focagem aproximada.

É necessário um cartão microSD (comprado em separado) para guardar imagens capturadas e vídeos gravados. Desligue o microscópio e insira o cartão microSD na ranhura correspondente no corpo do microscópio até que fique encaixado com um clique. Não aplique força excessiva ao inserir o cartão microSD. Tente rodar o cartão, se não ficar encaixado com facilidade.

Se o ecrã LCD bloquear, procure o botão "Reset" (Repor) na parte de trás do ecrã LCD. Utilize um objeto estreito, como, por exemplo, um clipe esticado, para premir o botão. Assim, todas as definições serão repostas para as predefinições de fábrica e o ecrã LCD será reiniciado. As fotografias ou os vídeos guardados não serão eliminados.

## Área de inserção de vidro da platina

- A área de inserção de vidro fosco da platina pode ser usada para observações de espécimes transparentes ou amostras finas de objetos. Coloque-a na platina e

**Atenção:** consulte a tabela de especificações para a voltagem correta. Nunca tente conectar um dispositivo 110V a uma saída 220V, e vice-versa, sem o uso de um transformador. Lembre-se que a voltagem nos EUA e no Canadá é 110V e que, na maioria dos países europeus, a voltagem é 220—240V.

fixe-a no devido lugar com o parafuso de bloqueio. A fonte de iluminação inferior deve ser usada durante observações com esta área de inserção de vidro da platina.

- As lâminas de vidro pretas e brancas adicionais são fornecidas com o microscópio. Se o espécime for branco ou brilhante, para um melhor contraste de imagem, utilize uma lâmina de vidro preta apenas com a iluminação superior acesa. Caso contrário, utilize uma lâmina de vidro branca.

## Informações a apresentar



Modo de vídeo



Modo de fotografia



Modo de reprodução

## Ampliação digital

Durante as observações, prima o botão "Up" (Para cima) para ampliar a imagem e o botão "Down" (Para baixo) para reduzir a imagem.

## Capturar uma imagem

1. Ligue o microscópio e coloque uma amostra na platina.
2. Defina a objetiva para a altura desejada utilizando o botão de focagem aproximada.
3. Ajuste o brilho da iluminação, de modo a que o espécime esteja uniformemente iluminado.
4. Ajuste a ampliação e a nitidez da imagem rodando o botão de focagem aproximada e o anel de zoom ótico.
5. Para tirar uma fotografia, prima o botão "Capture" (Capturar).
6. No modo "Freeze" (Fixar), prima brevemente o botão "OK" para tirar uma fotografia (exceto DM500).

## Gravar um vídeo

1. Prima o botão de "Video" (Vídeo) para mudar para o modo de vídeo. O ícone no canto superior esquerdo do ecrã será alterado ao confirmar.
2. Prima o botão de "OK" para iniciar a gravação. **Nota:** não mantenha o botão "OK"

- premido; em vez disso, prima brevemente o botão e solte-o.
- Prima novamente o botão "OK" para parar a gravação.
  - Prima o botão "Capture" (Capturar) para tirar uma fotografia enquanto o microscópio está a gravar um vídeo. Se tirar uma fotografia desta forma, a resolução de imagem poderá não ser tão elevada como a resolução de vídeo — a qualidade de imagem será inferior.

#### Ver fotografias e vídeos

- Insira o cartão microSD na ranhura SD.
- Prima o botão "Vídeo" duas vezes para ativar o modo de visualização.
- Prima os botões "Right" (Para a direita) e "Left" (Para a esquerda) para ver as imagens e os vídeos. Prima o botão "OK" para começar a reproduzir o vídeo.
- Utilize o botão "Menu" para aceder a opções adicionais quando visualizar uma imagem estática ou vídeo. Prima sem soltar o botão "Menu" até aparecerem as opções.

#### Configurar

Prima o botão "Menu" para aceder ao menu de definições do ecrã LCD. Utilize os botões de controlo para seleccionar os parâmetros necessários. Prima novamente o botão "Menu" para guardar os parâmetros seleccionados. Não desligue a alimentação do microscópio enquanto guarda as definições. Reinicie o microscópio após aplicar as configurações.

#### Data e hora

Selecione "Date/Time" (Data/hora) no menu principal com o botão para baixo e defina a data e hora atuais. Pode utilizar os botões "Left" (Esquerda) e "Direita" (Right) no controlo remoto para seleccionar os dados necessários.

## Especificações

ID de produto	76826	76825
Modelo	Levenhuk Rainbow DM500 LCD	Levenhuk Rainbow DM700 LCD
Ampliação digital	7—200x	10—200x
Ampliação ótica	7—50x	10—50x
Material ótico	vidro ótico	
Corpo	plástico	
Platina	120x180 mm	
Bloco móvel	83x43 mm, om suportes de espécimes	
Foco	grosso, 50 mm	grosso, 90 mm
Iluminação	superior e inferior, LED	
Ecrã LCD a cores com rotação	5"	7"
Megapixels (sensor/imagem)	2/12	
Máx. resolução (imagem/vídeo)	4032x3024/1920x1080 px	
Formato de imagem/vídeo	*.jpg/*.avi	
Sensor	1/2,9	
Tamanho do pixel	2,8 µm	
Sensibilidade	3800 mV/Lux-s	
Faixa espectral	410—1100 nm	
Definições manuais	equilíbrio de brancos, controlo de exposição	
Saída (conectores)	microSD, microUSB	
Fonte de alimentação (microscópio)	110—220 V; 5 V, 1 A através do cabo USB; bateria de 2200 mAh incorporada (tempo de funcionamento: 3—4 horas, tempo de carregamento: 16—20 horas)	110—220 V; 5 V, 1 A através do cabo USB
Fonte de alimentação (IR remoto)	batterie AAA 2 pz.	

Intervalo de temperaturas de funcionamento	-20...+70 °C
--	--------------

Levenhuk se reserva no direito de fazer alterações na variedade e nas especificações dos produtos sem notificação prévia.

## Cuidado e manutenção

**Nunca, em qualquer circunstância, olhe diretamente para o Sol, ou para outra fonte de luz intensa, ou para um laser através deste dispositivo, pois isso pode causar DANOS PERMANENTES À RETINA e pode levar à CEGUEIRA.** Tome as precauções necessárias quando usar o dispositivo com crianças, ou com outras pessoas que não leram, ou não compreenderam totalmente estas instruções. Após desembalar o microscópio e antes de utilizá-lo pela primeira vez, verifique a integridade e a durabilidade de todos os componentes e ligações. Não tente desmontar o dispositivo por conta própria por qualquer motivo. Para fazer reparações e limpezas de qualquer tipo, entre em contato com o centro local de serviços especializados. Proteja o dispositivo de impactos súbitos e de força mecânica excessiva. Não aplique pressão excessiva quando estiver ajustando o foco. Não aperte demasiado os parafusos de bloqueio. Não toque nas superfícies ópticas com seus dedos. Para limpar o exterior do dispositivo, use apenas lenços especiais para limpeza e ferramentas especiais de limpeza óptica da Levenhuk. Não utilize fluidos corrosivos, nem baseados em acetona para limpar as partes ópticas. Partículas abrasivas, como areia, não devem ser removidas com um pano. Em vez disso, sobre-as, ou retire-as com um pincel suave. Não use o dispositivo por períodos de tempo muito longos, nem o deixe abandonado sob a luz direta do Sol. Mantenha longe de água e alta umidade. Tenha cuidado durante as suas observações, substitua sempre a capa protetora antipoeira quando concluir as observações de modo a proteger o equipamento contra poeiras e manchas. Se não utilizar o microscópio durante muito tempo, guarde as objetivas e os oculares separadamente do microscópio. Guarde o dispositivo em um local seco e fresco, longe de ácidos perigosos e outros produtos químicos, de aquecedores, de fogo e de outras fontes de altas temperaturas. Ao utilizar o microscópio, não o faça próximo de materiais ou substâncias inflamáveis (benzeno, papel, cartão, plástico, etc.), uma vez que a base pode aquecer durante o uso e provocar um incêndio. Desligue sempre o microscópio de uma fonte de alimentação antes de abrir a base ou mudar de lâmpada de iluminação. Independentemente do tipo de lâmpada (halogéneo ou incandescente), deixe arrefecer durante algum tempo antes de a substituir por uma lâmpada do mesmo tipo. Utilize sempre a fonte de alimentação com uma tensão adequada, isto é, indicada nas especificações do novo microscópio. A ligação do equipamento a uma tomada diferente pode danificar o circuito elétrico do microscópio, fundir a lâmpada ou provocar um curto-circuito. As crianças só devem usar o microscópio sob a supervisão de um adulto. **Procure um médico imediatamente se uma peça pequena ou uma pilha for engolida.**

## Instruções de segurança da bateria

Compre sempre baterias do tamanho e grau mais adequados para o uso pretendido. Substitua sempre o conjunto de baterias de uma só vez; tome cuidado para não misturar baterias antigas com novas, ou baterias de tipos diferentes. Limpe os contactos da bateria, e também os do dispositivo, antes da instalação da bateria. Certifique-se de que as baterias estão instaladas corretamente no que respeita à sua polaridade (+ e -). Remova as baterias do equipamento se este não for ser usado por um período prolongado de tempo. Remova as baterias usadas prontamente. Nunca coloque as baterias em curto-circuito, pois isso pode causar altas temperaturas, derrame ou explosão. Nunca aqueça as baterias com o intuito de as reanimar. Não desmonte as baterias. Lembre-se de desligar os dispositivos após a utilização. Mantenha as baterias fora do alcance das crianças, para evitar o risco de ingestão, sufocação ou envenenamento. Use as baterias da forma prescrita pelas leis do seu país.

## Garantia vitalícia internacional Levenhuk

Todos os telescópios, microscópios, binóculos ou outros produtos ópticos Levenhuk, exceto seus acessórios, são acompanhados de **garantia vitalícia** contra defeitos dos materiais e acabamento. A garantia vitalícia é uma garantia para a vida útil do produto no mercado. Todos os acessórios Levenhuk têm garantia de materiais e acabamento livre de defeitos por **dois anos** a partir da data de compra. A Levenhuk irá reparar ou substituir o produto ou sua parte que, com base em inspeção feita pela Levenhuk, seja considerado defeituoso em relação aos materiais e acabamento. A condição para que a Levenhuk repare ou substitua tal produto é que ele seja enviado à Levenhuk juntamente com a nota fiscal de compra.

Para detalhes adicionais, visite nossa página na internet: [www.levenhuk.eu/warranty](http://www.levenhuk.eu/warranty)

Se surgirem problemas relacionados à garantia ou se for necessária assistência no uso do produto, contate a filial local da Levenhuk.

# Цифровые микроскопы Levenhuk Rainbow DM LCD

RU

Рассмотрите рисунки 1 (устройство), 2 (ЖК-экран), 3 (пульс управления) и 4 (аксессуары). Найдите свою модель микроскопа и ознакомьтесь со всеми деталями устройства.

## Подготовка микроскопа к работе

- Аккуратно распакуйте микроскоп и установите его на ровную поверхность.
- Вставьте кабель питания в соответствующие разъемы в основании и на ЖК-экране, подсветка и экран включатся автоматически.
- Для последующего включения и выключения экрана нажмите на экране кнопку вкл./выкл. и удерживайте в течение 2 секунд.
- Поместите на подвижный блок микропрепарат и зафиксируйте его держателями. Расположите подвижный блок под объективом. В комплекте есть набор готовых микропрепаратов для изучения. Снимите крышку объектива с надписью «Q.C. passed» с нижней части второй крышки объектива.
- Настройте яркость подсветки и отрегулируйте четкость изображения при помощи ручки грубой фокусировки.

Для создания снимков и видеороликов потребуется карта microSD (нет в комплекте). Выключите микроскоп и вставьте карту microSD в соответствующий разъем на корпусе микроскопа до щелчка. Не прикладывайте излишних усилий, чтобы не повредить микроскоп или карту microSD. Если у вас не получается вставить карту, убедитесь, что она расположена верно.

Если ЖК-экран зависнет, найдите на его задней панели кнопку «Перезагрузка». Для нажатия кнопки используйте узкий предмет, например, разогнутую скрепку. Это сбросит все настройки до заводских значений и перезапустит ЖК-экран. Сохраненные фото или видео не будут удалены.

## Выбор предметного стекла

- Прозрачное предметное стекло используйте для наблюдений прозрачных препаратов и тонких срезов, установив его в специальную полость в предметном столике. Для данного типа наблюдений рекомендуется использовать только нижнюю подсветку.

**Внимание:** помните, что напряжение сети в России и большинстве европейских стран составляет 220—240 В. Если вы хотите использовать устройство в стране с другим стандартом сетевого напряжения, необходимо включать его в розетку только через соответствующий конвертер (преобразователь напряжения).

- В комплекте с микроскопом поставляются дополнительные черное и белое предметные стекла. Если препарат имеет белую или яркую окраску, тогда для лучшего контраста изображения используйте черное предметное стекло, включив только верхнюю подсветку. В иных случаях используют белое предметное стекло.

## Интерфейс



Режим видеосъемки



Режим фотосъемки



Режим просмотра сохраненных фото- и видеозаписей

## Цифровое увеличение

Во время наблюдений нажмите кнопку «Вверх», чтобы увеличить изображение, кнопку «Вниз» — чтобы уменьшить.

## Как сделать снимок

1. Включите микроскоп и поместите препарат на предметный столик.
2. Установите объектив на нужной высоте при помощи ручки грубой фокусировки.
3. Настройте яркость системы освещения так, чтобы объект был равномерно освещен.
4. Настройте увеличение и резкость изображения, вращая колесо фокусировки и кольцо оптического увеличения.
5. Нажмите кнопку «Съемка», чтобы сделать снимок.
6. В режиме «Стоп-кадр» одновременно нажмите кнопку «ОК», чтобы сделать снимок (только DM500).

## Как записать видео

1. Нажмите кнопку «Видео», чтобы перейти в режим видео. Значок в левом верхнем углу дисплея изменится в подтверждение перехода.
2. Нажмите кнопку «ОК», чтобы начать запись. **Примечание:** не зажимайте кнопку «ОК», одновременно нажмите и отпустите.

- Нажмите кнопку повторно, чтобы остановить запись.
- Нажмите кнопку «Съемка», чтобы сделать снимок, пока микроскоп записывает видео. Если вы делаете фото таким образом, разрешение изображения не может быть таким же высоким, как разрешение видео — качество снимка будет ниже.

#### Просмотр фотографий и видеозаписей

- Вставьте карту microSD в разъем.
- Дважды нажмите кнопку «Видео», чтобы включить режим просмотра.
- Для просмотра сделанных снимков и видеозаписей нажимайте кнопки «Вправо» и «Влево». Чтобы начать воспроизведение видео, нажмите кнопку «ОК».
- При просмотре неподвижного изображения или видео кнопку «Меню» можно использовать для предоставления дополнительных параметров. Нажмите кнопку меню и удерживайте некоторое время, пока не появятся параметры.

#### Настройка

Чтобы перейти в меню настроек ЖК-экрана, дважды нажмите кнопку «Меню». Используйте кнопки управления для выбора необходимых параметров. Для сохранения выбранных параметров нажмите кнопку «Меню» повторно. При сохранении настроек не отключайте питание микроскопа. После применения настроек рекомендовано перезагрузить микроскоп.

#### Дата и время

В главном меню при помощи кнопки «Вниз» перейдите в раздел «Дата/Время» и настройте дату и время. Или вы можете использовать кнопки «Влево» и «Вправо» на пульте управления, чтобы выбрать необходимые данные.

## Технические характеристики

Артикул	76826	76825
Модель	Levenhuk Rainbow DM500 LCD	Levenhuk Rainbow DM700 LCD
Цифровое увеличение	7—200 крат	10—200 крат
Оптическое увеличение	7—50 крат	10—50 крат
Материал оптики	оптическое стекло	
Корпус	пластик	
Предметный столик	120x180 мм	
Подвижный блок	83x43 мм, с держателями препарата	
Фокусировка	грубая, 50 мм	грубая, 90 мм
Подсветка	светодиодная, верхняя и нижняя	
Поворотный цветной ЖК-экран	5"	7"
Число мегапикселей (сенсор/изображение)	2/12	
Максимальное разрешение изображения/видео	4032x3024/1920x1080 пикс	
Формат изображения/видео	*.jpg/*.avi	
Чувствительный элемент	1/2,9	
Размер пикселя	2,8 мкм	
Чувствительность	3800 мВ/лк·с	
Спектральный диапазон	410—1100 нм	
Ручные настройки	баланс белого, контроль экспозиции	
Выход (разъемы)	microSD, microUSB	
Источник питания пульта управления	110—220 В; 5 В, 1 А через USB-кабель; встроенный аккумулятор 2200 мА·ч (время работы: 3—4 часа, время зарядки: 16—20 часов)	110—220 В; 5 В, 1 А через USB-кабель

Источник питания пульта управления	2 батарейки типа ААА
Диапазон рабочих температур	-20...+70 °С

Компания Levenhuk оставляет за собой право вносить любые изменения или прекращать производство изделия без предварительного уведомления.

## Уход и хранение

**Никогда не смотрите в прибор на Солнце, на источник яркого света и лазерного излучения — ЭТО ОПАСНО ДЛЯ ЗРЕНИЯ И МОЖЕТ ПРИВЕСТИ К СЛЕПОТЕ!** Будьте внимательны, если пользуетесь прибором вместе с детьми или людьми, не знакомыми с инструкцией. После вскрытия упаковки и установки микроскопа проверьте каждый компонент. Не разбирайте прибор. Сервисные и ремонтные работы могут проводиться только в специализированном сервисном центре. Оберегайте прибор от резких ударов и чрезмерных механических воздействий. Не прикладывайте чрезмерных усилий при настройке фокуса. Не затягивайте стопорные и фиксирующие винты слишком туго. Не касайтесь пальцами поверхностей линз. Для внешней очистки прибора используйте специальную салфетку и специальные чистящие средства Levenhuk для очистки оптики. Не используйте для чистки средства с абразивными или коррозионными свойствами и жидкости на основе ацетона. Абразивные частицы (например, песок) следует не стирать, а сдувать или смахивать мягкой кисточкой. Не подвергайте прибор длительному воздействию прямых солнечных лучей. Не используйте прибор в условиях повышенной влажности и не погружайте его в воду. Работайте с микроскопом аккуратно, надевайте на него пылезащитный чехол после работы, чтобы защитить его от пыли и масляных пятен. Если объективы и окуляры не используются долгое время, храните их упакованными в сухую коробку, отдельно от микроскопа. Храните прибор в сухом прохладном месте, недоступном для воздействия кислот или других активных химических веществ, вдали от отопителей (бытовых, автомобильных) и от открытого огня и других источников высоких температур. Не используйте микроскоп рядом с воспламеняемыми материалами, так как основание микроскопа может нагреться во время работы. Всегда отключайте микроскоп от электросети, прежде чем открывать батарейный отсек или менять лампу подсветки. Перед заменой лампы дайте ей остыть и всегда меняйте ее на лампу того же типа. Используйте источник питания, соответствующий напряжению сети, иначе может сгореть лампа, могут произойти повреждение электросхемы микроскопа или короткое замыкание. Дети могут пользоваться прибором только под присмотром взрослых. **Если деталь прибора или элемент питания были проглочены, срочно обратитесь за медицинской помощью.**

## Использование элементов питания

Всегда используйте элементы питания подходящего размера и соответствующего типа. При необходимости замены элементов питания меняйте сразу весь комплект, не смешивайте старые и новые элементы питания и не используйте элементы питания разных типов одновременно. Перед установкой элементов питания очистите контакты элементов и контакты в корпусе прибора. Устанавливайте элементы питания в соответствии с указанной полярностью (+ и –). Если прибор не используется длительное время, следует вынуть из него элементы питания. Оперативно вынимайте из прибора использованные элементы питания. Никогда не закорачивайте полюса элементов питания — это может привести к их перегреву, протечке или взрыву. Не пытайтесь нагревать элементы питания, чтобы восстановить их работоспособность. Не разбирайте элементы питания. Выключайте прибор после использования. Храните элементы питания в недоступном для детей месте, чтобы избежать риска их проглатывания, удушья или отравления. Утилизируйте использованные батарейки в соответствии с предписаниями закона.

## Международная пожизненная гарантия Levenhuk

Компания Levenhuk гарантирует отсутствие дефектов в материалах конструкции и дефектов изготовления изделия. Продавец гарантирует соответствие качества приобретенного вами изделия компании Levenhuk требованиям технической документации при соблюдении потребителем условий и правил транспортировки, хранения и эксплуатации изделия. Срок гарантии: на аксессуары — **6 (шесть) месяцев** со дня покупки, на остальные изделия — **пожизненная гарантия** (действует в течение всего срока эксплуатации прибора).

Подробнее об условиях гарантийного обслуживания см. на сайте [www.levenhuk.ru/support](http://www.levenhuk.ru/support)

По вопросам гарантийного обслуживания вы можете обратиться в ближайшее представительство компании Levenhuk.



# Levenhuk Rainbow DM LCD Dijital Mikroskoplar

TR

Lütfen şekil 1 (cihaz), 2 (LCD ekran), 3 (kontrol paneli) ve 4'e (aksesuarlar) bakın. Mikroskobunuzun modelini bulun ve cihazın tüm ayrıntılarına bakın.

## Başlarken

- Mikroskobu dikkatlice ambalajından çıkarın ve düz bir yüzey üzerine yerleştirin.
- Güç kablosunu tabandaki ve LCD ekran üzerindeki ilgili konektörlere takın, ardından arka ışık ve ekran otomatik olarak açılacaktır.
- Ekranı açmak veya kapatmak için, ekrandaki "Power on/off" (Güç aç/kapat) düğmesine 2 saniye boyunca basılı tutun.
- Mikro preparatı hareketli bloğa yerleştirin ve and örnek tutucular ile sabitleyin. Hareketli bloğu objektifin altına yerleştirin. Kit, çalışma için önceden hazırlanmış mikro preparatlar içerir. "Kalite kontrol denge" etiketli mercek kapağını ikinci mercek kapağının altından çıkartın.
- Arka ışığın parlaklığını ayarlayın ve kaba odaklama düğmesi ile görüntünün netliğini ayarlayın.

Yakalanan görüntüleri ve kaydedilen videoları saklamak için bir micro SD kart (ayrı olarak satılır) gereklidir. Mikroskobu kapatın ve micro SD kartı bir klik sesiyle beraber yerine kilitlenen kadar mikroskop gövdesi üzerindeki ilgili yuvasına yerleştirin. Micro SD kartı yerleştirirken aşırı güç uygulamayın. Yerine kolaylıkla kilitlenmezse, kartı ters çevirmeyi deneyin.

LCD ekran donarsa, LCD ekranın arkasındaki "Reset" (Sıfırlama) düğmesini bulun. Düğmeye basmak için, düzleştirilmiş bir ataş gibi ince bir nesne kullanın. Bu, tüm ayarları fabrika varsayılan ayarlarına sıfırlar ve LCD ekranı yeniden başlatır. Kaydedilen fotoğraflar ve videolar silinmez.

## Lamel ek camı

- Buzlu cam lamel eki, şeffaf örnekleri veya objelerin ince kısımlarını gözlemlemek için kullanılabilir. Lamel üzerine yerleştirin ve kilitleme vidaları ile yerine sabitleyin. Alt aydınlatma kaynağı, cam lamel eki ile yapılan gözlemler sırasında kullanılmalıdır.

**Dikkat:** Şebeke voltajı birçok Avrupa ülkesinde 220—240V değerindedir. Cihazınızı farklı bir şebeke voltajı standardına sahip bir ülkede kullanacaksanız, dönüştürücü kullanmanın kesinlikle gerekli olduğunu unutmayın.

- Siyah ve beyaz ek cam slaytlar mikroskop ile beraber temin edilmiştir. Örnek beyaz veya parlaksa, daha iyi görüntü kontrastı için siyah cam slaytı yalnızca üst aydınlatma açikken kullanın. Tersi durumda beyaz cam slayt kullanın.

## Ekran bilgileri

 Video modu

 Fotoğraf modu

 Oynatma modu

## Dijital büyüme

Gözlem sırasında, görüntüyü büyötmek için "UP" (Yukarı) düğmesine ve görüntüyü küçöltmek için "DOWN" (Aşağı) düğmesine basın.

## Bir görüntünün yakalanması

- Mikroskobu çalıştırın ve lamel üzerine bir örnek yerleştirin.
- Kaba odaklama düğmesini kullanarak objektifi istediğiniz yüksekliğe ayarlayın.
- Aydınlatma parlaklığını ayarlayın, böylece örnek eşit oranda aydınlanır.
- Kaba odaklama düğmesi ve optik yakınlaştırma halkasını döndürerek görüntünün büyüme oranını ve netliğini ayarlayın.
- Fotoğraf çekmek için, "Capture" (Kaydet) düğmesine basın.
- "Freeze" (Dondur) modunda, fotoğraf çekmek için kısaca "OK" (Tamam) düğmesine basın (yalnızca DM500).

## Video kaydı

- Video moduna geçmek için "Video" düğmesine basın. Onaylandığı zaman ekranın üst sol köşesindeki simge değişecektir.
- Kaydetmeye başlamak için "OK" (Tamam) düğmesine basın. **Not:** "OK" (Tamam) düğmesine basılı tutmayın; bunun yerine kısaca basın ve bırakın.
- Kayıd durdurmak için "OK" (Tamam) düğmesine tekrar basın.
- Mikroskop bir video kaydederken fotoğraf çekmek için "Capture" (Kaydet) düğmesine basın. Bu yöntemle fotoğraf çekerseniz, görüntü çözünürlüğü video çözünürlüğü kadar yüksek olmayabilir — görüntü kalitesi daha düşük olur.

### Fotoğraf ve video görüntüleme

1. Micro SD kartı SD yuvasına yerleştirin.
2. Görüntüleme modunu açmak için "Video" düğmesine iki kere basın.
3. Resim ve video görüntülemek için "Sol" ve "Sağ" düğmelere basın. Video oynatmaya başlamak için "OK" (Tamam) düğmesine basın.
4. Sabit bir görüntüyü veya videoyu görüntülediğiniz zaman ek seçenekler için "Menu" (Menü) düğmesini kullanın. Seçenekler görüntülenene kadar "Menu" (Menü) düğmesine basılı tutun.

### Kurulum

LCD ekranın ayar menüsüne gitmek için "Menu" (Menü) düğmesine basın. Gerekli parametreleri seçmek için kontrol düğmelerini kullanın. Seçili parametreleri kaydetmek için "Menu" (Menü) düğmesine yeniden basın. Ayarları kaydederken mikroskobun gücünü kapatmayın. Ayarları uyguladıktan sonra mikroskobu yeniden başlatın.

### Tarih ve saat

"Down" (Aşağı) düğmesi ile ana menüden Date/Time (Tarih/Saat) seçeneğini seçin ve mevcut tarih ve saati ayarlayın. Gereken verileri seçmek için uzaktan kumanda üzerindeki "Sol" ve "Sağ" düğmelerini kullanabilirsiniz.

### Teknik Özellikler

Ürün kimliği	76826	76825
Model	Levenhuk Rainbow DM500 LCD	Levenhuk Rainbow DM700 LCD
Dijital büyütme	7—200x	10—200x
Optik büyütme	7—50x	10—50x
Optik malzemesi	optik cam	
Gövde	plastik	
Lamel yuvası	120x180 mm	
Hareketli blok	83x43 mm, örnek tutucular ile	
Odak	kaba, 50 mm	kaba, 90 mm
Aydınlatma	üst ve alt, LED	
Döndürülebilir renkli LCD ekran	5"	7"
Megapiksel (sensör/görüntü)	2/12	
Maks. çözünürlük (görüntü/video)	4032x3024/1920x1080 px	
Görüntü/video biçimi	*.jpg/*.avi	
Sensör	1/2,9	
Piksel boyutu	2,8 µm	
Hassasiyet	3800 mV/Lux-s	
Spektral aralık	410—1100 nm	
Manuel ayarlar	beyaz dengesi, pozlama kontrolü	
Çıkış (konektörler)	micro SD, micro USB	
Güç kaynağı (mikroskop)	110—220 V; USB kablosu ile 5 V, 1 A; dahili 2200 mAh pil (çalışma süresi: 3—4 saat, şarj süresi: 16—20 saat)	110—220 V; USB kablosu ile 5 V, 1 A
Güç kaynağı (IR uzak)	2 adet AAA pil	
Çalışma sıcaklığı aralığı	-20...+70 °C	

Levenhuk, ürün serisinde ve teknik özelliklerinde önceden bildirimde bulunmaksızın değişiklik yapma hakkını saklı tutar.

## Bakım ve onarım

**RETİNADA KALICI HASARA neden olabileceğinden ve KÖRLÜĞE yol açabileceğinden kesinlikle, hiçbir koşul altında Güneşe, başka bir parlak ışık kaynağına ya da bu cihaz aracılığıyla bir lazere doğrudan bakmayın.** Cihazı, bu talimatları okumayan veya tamamen anlamayan çocuklar veya diğer kişiler ile birlikte kullanırken gerekli önlemleri alın. Mikroskobunuzu ambalajından çıkardıktan sonra ve ilk defa kullanmadan önce, her bileşenin ve bağlantının sağlamlığını ve dayanıklılığını kontrol edin. Cihazı herhangi bir sebep için kendi başınıza sökmeye çalışmayın. Her tür onarım ve temizlik için lütfen yerel uzman servis merkeziniz ile iletişime geçin. Cihazı ani darbeler ve aşırı mekanik güçlere karşı koruyun. Odağı ayarlarken aşırı basınç uygulamayın. Kilitleme vidalarını aşırı sıkmayın. Optik yüzeylere parmaklarınızla dokunmayın. Cihazın dışını temizlemek için, yalnızca Levenhuk' un özel temizleme bezlerini ve özel optik temizleme aletlerini kullanın. Optiği temizlemek için aşındırıcı veya aseton bazlı sıvılar kullanmayın. Kum gibi aşındırıcı parçacıklar lenslerden silerek temizlenmemeli, bunun yerine üflenmeli veya yumuşak bir fırça ile fırçalanmalıdır. Cihazı uzun süre kullanmayın veya doğrudan güneş ışığında gözetimsiz bırakmayın. Cihazı su ve yüksek nmeden uzak tutun. İncelemeleriniz sırasında dikkatli olun, cihazı toz ve lekelerden korumak için incelemelerinizi bitirdikten sonra toz kapağını daima yenisiyle değiştirin. Mikroskobunuzu uzun süre kullanmıyorsanız, objektif lensleri ve göz merceklelerini mikroskoptan ayrı olarak saklayın. Cihazı tehlikeli asitler ve diğer kimyasallardan, ısıtıcılardan, açık ateşten ve diğer yüksek sıcaklık kaynaklarından uzakta kuru, serin bir yerde saklayın. Mikroskobu kullanırken, taban kullanım sırasında ısınabildiğinden ve bir yangın tehlikesi oluşturabildiğinden, yanıcı malzeme veya maddelerin (benzen, kağıt, karton, plastik vb.) yakınında kullanılmamaya çalışın. Tabanı açmadan veya aydınlatma lambasını değiştirmeden önce mikroskobu daima bir güç kaynağından çıkarın. Lamba türünden (halojen veya akkor lamba) bağımsız olarak, değiştirmeye çalışmadan önce soğuması için biraz zaman tanıyın ve daima aynı tipte bir lamba ile değiştirin. Güç kaynağını daima uygun voltaja, yani yeni mikroskobunuzun teknik özelliklerinde belirtilen şekilde kullanın. Cihazı farklı bir elektrik prizine takmak mikroskobun elektrik devresine zarar verebilir, lambayı yakabilir ve hatta kısa devreye neden olabilir. Çocuklar cihazı yalnızca yetişkin gözetiminde kullanabilir. **Küçük bir parça veya pil yutulursa hemen tıbbi yardım alın.**

## Pil güvenliği talimatları

Her zaman kullanım amacına en uygun olan boyut ve türden piller satın alın. Eski ve yeni piller ile farklı türlerden pilleri birbiriyle birlikte kullanılmamaya özen göstererek pil setini her zaman tamamen değiştirin. Pilleri takmadan önce pil kontakları ile cihaz kontaklarını temizleyin. Pillerin kutuplar (+ ve -) açısından doğru bir biçimde takıldığından emin olun. Uzun süreyle kullanılmayacak ekipmanlardaki pilleri çıkarın. Kullanılmış pilleri derhat çıkarın. Aşırı ısınmaya, sızıntıya veya patlamaya neden olabileceğinden kesinlikle pillerde kısa devreye neden olmayın. Yeniden canlandırma için kesinlikle pilleri ısıtmayın. Pilleri

sökmeyin. Cihazı kullanım sonrasında kapatın. Yutma, boğulma veya zehirlenme riskini önlemek için pilleri çocukların erişemeyeceği bir yerde saklayın. Kullanılmış pilleri ülkenizin yasalarında belirtildiği şekilde değerlendirin.

## Levenhuk Uluslararası Ömür Boyu Garanti

Tüm Levenhuk teleskopları, mikroskopları, dürbünleri ve diğer optik ürünleri, aksesuarları hariç olmak üzere, malzeme ve işçilik kaynaklı kusurlara karşı **ömür boyu garantilidir**. Ömür boyu garanti, piyasadaki ürünün kullanım ömrü boyunca garanti altında olması anlamına gelir. Tüm Levenhuk aksesuarları, perakende satış yoluyla alınmasından sonra **2 yıl boyunca** malzeme ve işçilik kaynaklı kusurlara karşı garantilidir. Levenhuk, kendi yapacağı denetim sonucunda malzeme veya işçilik kusurları bulunan her türlü ürünü veya parçayı onaracak veya değiştirecektir. Levenhuk'un bu gibi ürünleri onarma veya değiştirme zorunluluğunun bir şartı olarak, ürünün, Levenhuk tarafından kabul edilecek satın alma belgesi ile birlikte Levenhuk'a iade edilmesi gerekir.

Daha ayrıntılı bilgi için lütfen şu adresi ziyaret edin: [www.levenhuk.eu/warranty](http://www.levenhuk.eu/warranty)

Garanti sorunları ortaya çıkarsa veya ürününüzü kullanırken yardıma ihtiyacınız olursa, yerel Levenhuk şubesi ile iletişime geçin.

## Levenhuk prepared slides sets

The Levenhuk slides sets include thoroughly prepared specimens of various biomaterials as well as blank slides and cover glasses for you to make your own specimens. Prepared slides, blank slides and cover slips can be used with any microscope model.



### Levenhuk Worldwide:

USA: [www.levenhuk.com](http://www.levenhuk.com)  
Azerbaijan: [www.levenhuk.az](http://www.levenhuk.az)  
Bulgaria: [www.levenhuk.bg](http://www.levenhuk.bg)  
Canada: [www.levenhuk.ca](http://www.levenhuk.ca)  
Czech Rep.: [www.levenhuk.cz](http://www.levenhuk.cz)  
Estonia: [www.levenhuk.ee](http://www.levenhuk.ee)

Finland: [fi.levenhuk.com](http://fi.levenhuk.com)  
Germany: [www.levenhuk.de](http://www.levenhuk.de)  
Hungary: [www.levenhuk.hu](http://www.levenhuk.hu)  
Iceland: [www.levenhuk.is](http://www.levenhuk.is)  
India: [www.levenhuk.in](http://www.levenhuk.in)  
Italy: [www.levenhuk.it](http://www.levenhuk.it)

Latvia: [www.levenhuk.lv](http://www.levenhuk.lv)  
Lithuania: [www.levenhuk.lt](http://www.levenhuk.lt)  
Netherlands: [www.levenhuk.nl](http://www.levenhuk.nl)  
Poland: [www.levenhuk.pl](http://www.levenhuk.pl)  
Romania: [www.levenhuk.ro](http://www.levenhuk.ro)  
Russia: [www.levenhuk.ru](http://www.levenhuk.ru)

Slovakia: [www.levenhuk.sk](http://www.levenhuk.sk)  
Spain: [www.levenhuk.es](http://www.levenhuk.es)  
Turkey: [www.levenhuk.tr](http://www.levenhuk.tr)  
Ukraine: [www.levenhuk.ua](http://www.levenhuk.ua)  
United Kingdom: [www.levenhuk.uk](http://www.levenhuk.uk)  
EU: [www.levenhuk.eu](http://www.levenhuk.eu)

# levenhuk.com

Levenhuk Inc. (USA): 928 E 124th Ave. Ste D, Tampa, FL 33612, USA, +1 813 468-3001, [contact\\_us@levenhuk.com](mailto:contact_us@levenhuk.com)  
Levenhuk Optics s.r.o. (Europe): V Chotejně 700/7, 102 00 Prague 102, Czech Republic, +420 737-004-919, [sales-info@levenhuk.cz](mailto:sales-info@levenhuk.cz)  
Levenhuk® is registered trademark of Levenhuk, Inc.  
© 2006–2022 Levenhuk, Inc. All rights reserved.  
20220124

# levenhuk

Zoom&Joy